



34L 1800W Manual Microwave

Instruction manual



EN	Manual Microwave	2
	<u>Instruction manual</u>	
NL	Magnetron	14
	<u>Handleiding</u>	
FR	Four micro-ondes	26
	<u>Mode d'emploi</u>	

DE	Mikrowellenherd	38
	<u>Bedienungsanleitung</u>	
IT	Forno a microonde	50
	<u>Manuale di istruzioni</u>	
ES	Horno microondas	62
	<u>Manual de instrucciones</u>	

Model • Modèle • Modell • Modello • Modelo • Malli:
FB863 / FE141-E

Safety Instructions

To reduce the risk of fire, electric shock, injury to persons or exposure to excessive microwave oven energy when using your appliance, follow basic precautions, including the following:



PRECAUTIONS TO AVOID POSSIBLE EXPOSURE TO MICROWAVE ENERGY

Do not attempt to operate this oven with the door open, since this can result in harmful exposure to microwave energy. It is important not to break or tamper with the safety interlocks.

Do not place any object between the oven front face and the door or allow soil or cleaner residue to accumulate on sealing surfaces.

Warning: If the door or door seals area damaged, the oven must not be operated until it has been repaired by a competent person.

- Position on a flat, stable surface.
- A service agent/qualified technician should carry out installation and any repairs if required. Do not remove any components on this product.
- Consult Local and National Standards to comply with the following:
 - Health and Safety at Work Legislation
 - BS EN Codes of Practice
 - Fire Precautions
 - IEE Wiring Regulations
 - Building Regulations
- **Warning:** Liquids and other foods must not be heated in sealed containers since they are liable to explode.

- **Warning:** It is hazardous for anyone other than a competent person to carry out any service or repair operation that involves the removal of a cover which gives protection against exposure to microwave energy.
- Only use utensils suitable for use in microwave ovens.
- The oven should be cleaned regularly and any food deposits should be removed.
- When heating food in plastic or paper containers, keep an eye on the oven due to the possibility of ignition.
- If smoke is observed, switch off or unplug the appliance and keep the door closed in order to stifle any flames.
- Do not overcook food.
- Do not use the oven cavity for storage purposes. Do not store items, such as bread, cookies, etc. inside the oven.
- Remove wire twist-ties and metal handles from paper or plastic containers/bags before placing them in the oven.
- Install or locate this oven only in accordance with the installation instructions provided.
- Eggs in the shell and whole hard-boiled eggs should not be heated in microwave ovens since they may explode, even after microwave heating has ended.
- Use this appliance only for its intended uses as described in manual. Do not use corrosive chemicals or vapours in this appliance. This oven is especially designed to heat. It is not designed for industrial or laboratory use.
- Do not store or use this appliance outdoors.
- Do not use this oven near water, in a wet basement or near a swimming pool.
- The temperature of accessible surfaces may be high when the appliance is operating. The surfaces are liable to get hot during use. Keep cord away from heated surface, and do not cover any vents on the oven.

- Do not let cord hang over edge of table or counter.
- Failure to maintain the oven in a clean condition could lead to deterioration of the surface that could adversely affect the life of the appliance and possibly result in a hazardous situation.
- **Warning:** The contents of feeding bottles baby food jars shall be stirred or shaken and the temperature checked before consumption, in order to avoid burns.
- **Warning:** Microwave heating of beverages result in delayed eruptive boiling, therefore care must be taken when handling the container.
- Liquids such as water, coffee and tea can overheat beyond boiling point without appearing to be boiling.
- Always switch off and disconnect the power supply to the unit before cleaning or carrying out maintenance.
- Keep all packaging away from children. Dispose of the packaging in accordance to the regulations of local authorities.
- If the power cord is damaged, it must be replaced by a BUFFALO agent or a recommended qualified technician in order to avoid a hazard.
- This appliance is not intended for use by persons (including children) with reduced physical, sensory or mental capabilities, or lack of experience or knowledge, unless they have been given supervision or instruction concerning the use of the appliance by a person responsible for their safety.
- Children should be supervised to ensure that they do not play with the appliance.
- Do not operate the oven when empty.
- The microwave oven shall not be placed in a cabinet unless it has been tested in a cabinet.
- The appliance is not intended to be operated by means of an external timer or separate remote-control system.
- Do not use jet/pressure washers to clean the appliance.

- Buffalo recommends that this appliance should be periodically tested (at least annually) by a Competent Person. Testing should include, but not be limited to: Visual Inspection, Polarity Test, Earth Continuity, Insulation Continuity and Functional Testing.
- Buffalo recommend that this product is connected to a circuit protected by an appropriate RCD (Residual Current Device).

Introduction

Please take a few moments to carefully read through this manual. Correct maintenance and operation of this machine will provide the best possible performance from your BUFFALO product.

Pack Contents

The following is included:

- Microwave Oven
- Instruction manual

BUFFALO prides itself on quality and service, ensuring that at the time of packaging the contents are supplied fully functional and free of damage.

Should you find any damage as a result of transit, please contact your BUFFALO dealer immediately.

Installation

1. Remove all packaging materials. Make sure that all protective plastic film and coatings are thoroughly removed from all surfaces.



Warning: Check for any of the following damage that may have occurred:

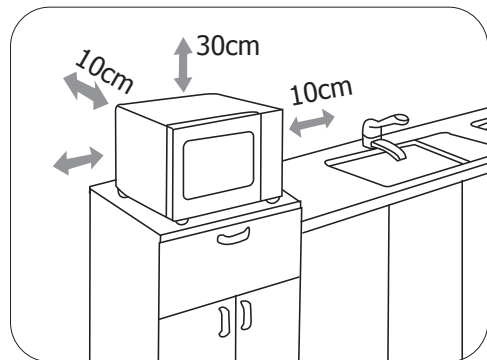
- **Misaligned or bent door, damaged door seals/sealing surface, broken/loose door hinges, dents in the oven interior.**
- **DO NOT operate the oven if any damage is found. Call a BUFFALO agent or qualified Technician.**

2. Position the oven on a flat, stable and heat-resistant surface. For sufficient ventilation, allow a minimum of 30cm of space above the oven, 10cm at the back and right side. The left side must be open.



Note: Do not cover or block any openings on the appliance, or remove the feet.

3. Place the oven as far away from radios and TV as possible as operation of the appliance may cause interference to your radio or TV reception.

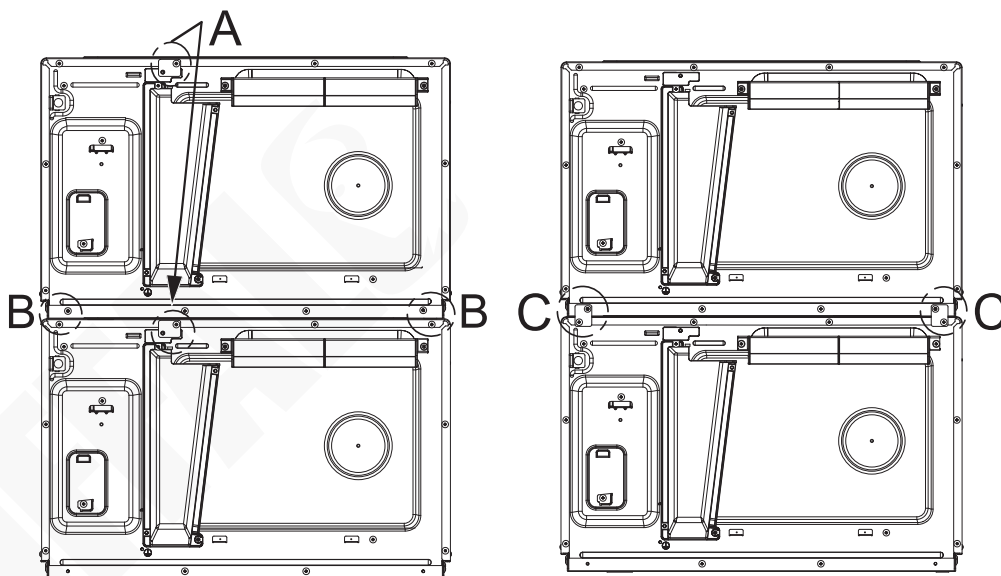


Stacking the appliance



Note: To save space, a maximum of 2 appliances can be stacked together. For details, please follow below instructions.

1. Loosen the screws that fix the mounting plates. Then remove the mounting plates and re-tighten the screws in place (Step A).
2. Remove the 4 screws as shown in Step B.
3. Locate the mounting plates to the joined parts of the 2 ovens, then fix with the screws just removed (Step C).



Utensils

See the instructions in this chapter for utensils to use/avoid with microwaving.

If in doubt, please check the manufacturer's instructions if your utensil is microwave safe or not.

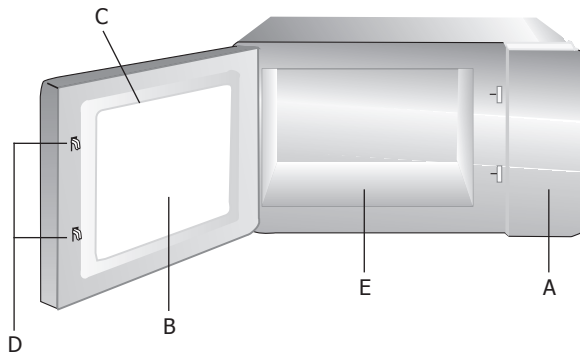
Materials you can use in microwave oven

Utensils (Not included)	Remarks
Browning dish	Follow manufacturer's instructions. The bottom of browning dish must be placed smoothly on the ceramic board. Incorrect usage may the ceramic board to break.
Dinnerware	Microwave-safe only. Follow manufacturer's instructions. Do not use cracked or chipped dishes.
Glass jars	Always remove lid. Use only to heat food until just warm. Most glass jars are not heat resistant and may break.
Glassware	Heat-resistant oven glassware only. Make sure there is no metallic trim. Do not use cracked or chipped dishes.
Oven cooking bags	Follow manufacturer's instructions. Do not close with metal tie. Make slits to allow steam to escape.
Paper plates and cups	Use for short-term cooking/warming only. Do not leave oven unattended while cooking.
Paper towels	Use to cover food for reheating and absorbing fat. Use with supervision for a short-term cooking only.
Parchment paper	Use as a cover to prevent splattering or a wrap for steaming.
Plastic	Microwave-safe only. Follow the manufacturer's instructions. Should be labelled "Microwave Safe". Some plastic containers soften, as the food inside gets hot. "Boiling bags" and tightly closed plastic bags should be slit, pierced or vented as directed by package.
Plastic wrap	Microwave-safe only. Use to cover food during cooking to retain moisture. Do not allow plastic wrap to touch food.
Thermometers	Microwave-safe only (meat and candy thermometers)
Wax Paper	Use a cover to prevent splattering and to help retain moisture

Materials to be avoided in microwave oven

Utensils (Not included)	Remarks
Aluminium tray	May cause arcing. Transfer food into microwave-safe dish
Food carton with metal handle	May cause arcing. Transfer food into microwave-safe dish
Metal or metal-trimmed utensils	Metal shields the food from microwave energy. Metal trim may cause arcing
Metal twist ties	May cause arcing and could cause a fire in the oven
Paper bags	May cause a fire in the oven
Plastic foam	Plastic foam may melt or contaminate the liquid inside when exposed to high temperature
Wood	Wood will dry out when used in the microwave oven and may split or crack

Knowing your appliance

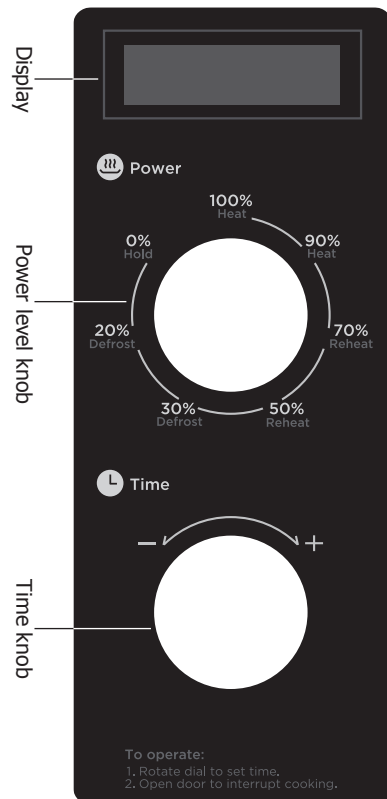


- A) Control panel
- B) Observation window
- C) Door assembly
- D) Safety interlock system
- E) Ceramic board

Note:

1. DO NOT press the ceramic board forcibly.
2. Take and put the utensils gently to avoid damage to the ceramic board.
3. After use, DO NOT touch the ceramic board with hand to avoid high temperature scalding.

A) Control panel:



Operation



Note: Before first time use, wipe clean the interior surfaces and let dry well.

Idle mode

1. Connect the appliance to the mains power supply. The display will show " _ _ _ _ _".
2. When the display becomes blank, the appliance will enter Idle mode.
3. During idle mode, no knob can be turned.

Ready mode

1. While in idle mode, open and then close the door to enter Ready mode.
2. In Ready mode, "READY" is shown.

Start Cooking

1. While in Ready mode, turn the power level knob to desired power level.

Power	100%	90%	70%	50%	30%	20%	0%
Display	100	90	70	50	30	20	0

2. Select the cooking time using the time knob (Maximum time: 60 minutes). After about 2 seconds, the appliance will start automatically.
3. When cooking time elapses, the appliance will beep and "DONE" will be shown.
4. Soon the display will change to show "READY", indicating the oven is in Ready mode again.
5. The fan will continue to run for 1 minute to cool the appliance, then stop automatically. The oven is now in "Idle mode" again.



Note: During cooking, the power level and cooking time can be adjusted at any time.



Note: During cooking, if the door is opened, the display will become blank and cooking will be cancelled.

Cleaning, Care & Maintenance



- **Switch off and disconnect from the power supply before cleaning.**
- **Always keep the oven clean!**
- **Clean the door frame, seal and neighbouring parts carefully with a damp cloth when dirty.**

Cleaning the door and oven front face

- For best performance and to maintain the high degree of safety, the inner door panel and oven front face should be free of food or grease build-up.
- Wipe these parts with a mild detergent, rinse and wipe dry. Never use abrasive powders or pads.

Cleaning the control panel and plastic parts

- Do not apply a detergent or an alkaline liquid spray to the control panel and plastic parts, as this may cause damage to these parts.
- Use a dry cloth (not a soaked cloth) to clean these parts.
- Do not allow the control panel to become wet.

Cleaning the oven interior

- After use be sure to remove spilled liquids, spattered oil and food debris as quickly as possible.
- If the oven is used when dirty, efficiency will drop and the dirt will get stuck on the oven surface. This may cause bad odours. Clean the interior with a cloth soaked in luke-warm water with a mild detergent dissolved in it, then rinse the soap off with a damp cloth.

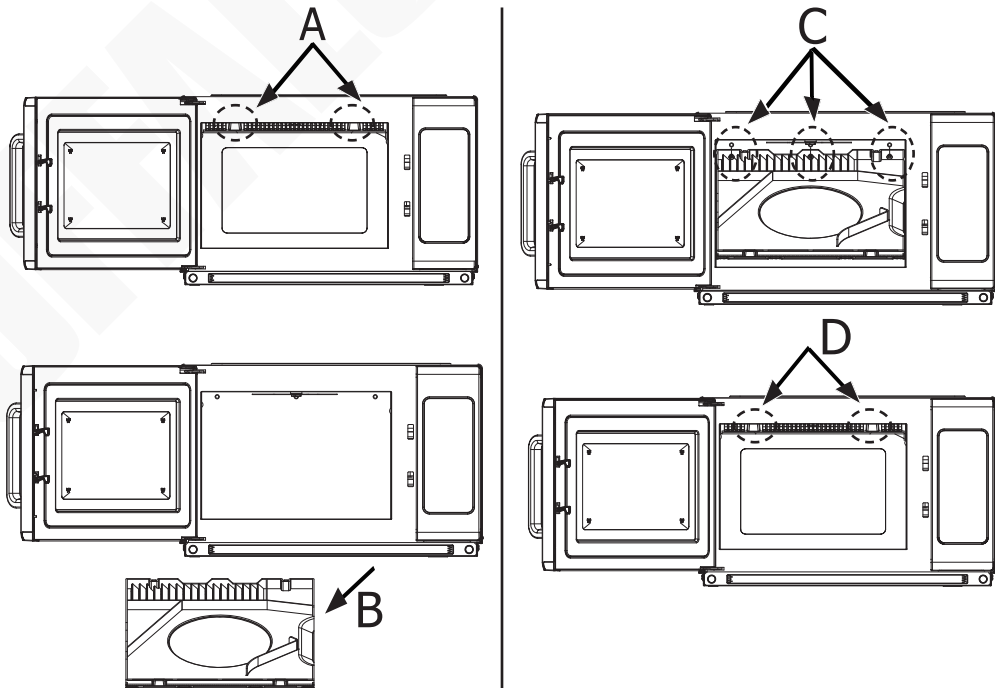


Remove any odours in the oven interior by microwaving a cup of water with the juice of 1 lemon for 5 minutes. Wipe the oven clean with a soft dry cloth.

Cleaning the oil baffle

The oven is featured with a removable oil baffle for easy and thorough cleaning. The baffle is located underneath the interior ceiling of the oven.

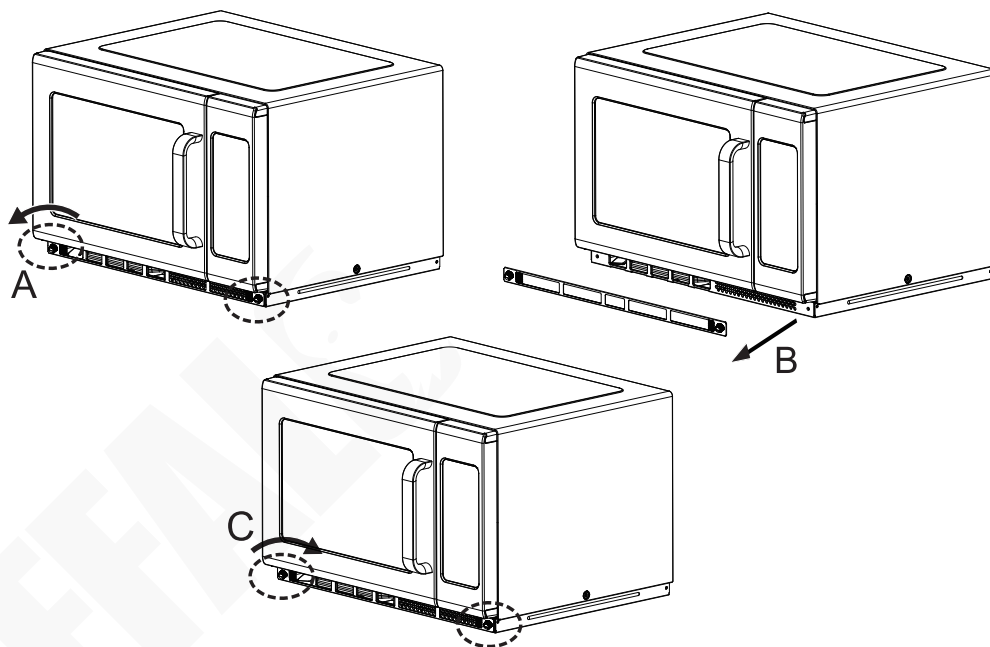
- To remove the baffle, press and hold the 2 dents on the baffle front (Step A). Meanwhile push the whole baffle backward to release. Afterward, remove the baffle from the oven (Step B).
- Clean the baffle with a mild detergent, rinse and wipe dry.
- To install the baffle, hold the baffle and insert the 3 pins on the rear into the holes on the oven back wall (Step C).
- Press the right dent backward until the right part of the baffle gets buckled. Repeat same operation to buckle the left part into position (Step D).



Cleaning the filter

The oven is featured with a removable filter for easy and thorough cleaning.

- Loosen the fixing nails (Step A), then remove the filter (Step B).
- Clean the filter with a soft brush.
- Locate the filter in place and fix with the nails (Step C).



Troubleshooting

A qualified technician must carry out repairs if required.

Fault	Probable Cause	Solution
The unit is not working	The unit is not switched on	Check the unit is plugged in correctly and switched on
	Plug or lead is damaged	Replace Plug or lead
	Fuse in the plug has blown	Replace the fuse
	Mains power supply fault	Check mains power supply
	Door is not closed properly	Close door securely
Arcing/Sparking	Metallic or other inappropriate materials are being used in food preparation	Remove metal objects. Use microwave-safe utensils only
	Spilled food remains inside the oven	Clean the interior of the oven
	The oven is operated when empty	Do not operate the oven when empty. It is very dangerous
Microwave oven interfering with TV reception	Radio and TV reception is interfered when then appliance is operating	It is normal
Steam accumulating on door and hot air out of vents	In cooking, steam may come out of food. Most will get out of vents but some may accumulate on cool places like the oven door	It is normal
Dim oven light	In low power microwave cooking, oven light may become dim	It is normal

Technical Specifications

Note: Due to our continuing program of research and development, the specifications herein may be subject to change without notice.

Model	Voltage	Power	Microwave Output	Oven Capacity	Operation Frequency	Dimensions h x w x d (mm)	Weight (kg)
FB863	230-240V~ 50Hz	3000W	1800W	34L	2450MHz	368 x 574 x 528	33.3
FE141-E	230~ 50Hz						

Electrical Wiring

This appliance is supplied with a 3 pin BS1363 plug and lead.

The plug is to be connected to a suitable mains socket.

This appliance is wired as follows:

- Live wire (coloured brown) to terminal marked L
- Neutral wire (coloured blue) to terminal marked N
- Earth wire (coloured green/yellow) to terminal marked E

This appliance must be earthed.



If in doubt consult a qualified electrician.

Electrical isolation points must be kept clear of any obstructions. In the event of any emergency disconnection being required they must be readily accessible.

Compliance

The WEEE logo on this product or its documentation indicates that the product must not be disposed of as household waste. To help prevent possible harm to human health and/or the environment, the product must be disposed of in an approved and environmentally safe recycling process. For further information on how to dispose of this product correctly, contact the product supplier, or the local authority responsible for waste disposal in your area.



BUFFALO parts have undergone strict product testing in order to comply with regulatory standards and specifications set by international, independent, and federal authorities.

BUFFALO products have been approved to carry the following symbol:



All rights reserved. No part of these instructions may be produced or transmitted in any form or by any means, electronic, mechanical, photocopying, recording or otherwise, without the prior written permission of BUFFALO.

Every effort is made to ensure all details are correct at the time of going to press, however, BUFFALO reserves the right to change specifications without notice.

Veiligheidsinstructies

Om het risico op brand, elektrische schokken, persoonlijk letsel of blootstelling aan overmatige straling van de magnetronoven tijdens het gebruik van uw apparaat te verminderen, dient u bepaalde algemene voorzorgsmaatregelen te volgen, waaronder de volgende:



VOORZORGSMAATREGELEN OM MOGELIJKE BLOOTSTELLING AAN STRALING VAN DE MAGNETRONOVEN TE VOORKOMEN

Probeer deze oven niet te gebruiken met het deurtje open, aangezien dit kan leiden tot schadelijke blootstelling aan straling van de magnetronoven. Het is belangrijk dat u de veiligheidsvergrendelingen niet verbreekt of ermee knoeit.

Plaats geen voorwerpen tussen de voorkant van de magnetronoven en het deurtje en laat geen vuil of resten van schoonmaakmiddelen op de afdichtingsoppervlakken ophopen.

Waarschuwing: Als het deurtje of de deurafdichtingen beschadigd zijn, mag de magnetronoven niet worden gebruikt voordat deze door een bevoegd persoon is gerepareerd.

- Plaats het product op een vlakke en stabiele ondergrond.
- De installatie en eventuele reparaties dienen door een servicetechnicus/vaktechnicus te worden uitgevoerd. Verwijder geen enkel onderdeel op dit product.
- Raadpleeg de lokale en nationale normen om te voldoen aan het volgende:
 - Wetgeving van gezondheid en veiligheid op de werkplaats
 - Werkregels
 - Brandpreventie
 - IEE bekabelingsnormen
 - Bouwverordeningen
- **Waarschuwing:** Vloeistoffen en andere etenswaren mogen niet in afgesloten containers worden verwarmd aangezien deze kunnen exploderen.

- **Waarschuwing:** Het is gevaarlijk voor iemand anders dan een bevoegd persoon om een onderhouds- of reparatiehandeling uit te voeren waarbij een paneel wordt verwijderd die bescherming biedt tegen blootstelling aan straling van de magnetronoven.
- Gebruik alleen keukengerei dat geschikt is voor gebruik in magnetronovens.
- De magnetronoven moet regelmatig worden schoongemaakt en aangekoekte etensresten moeten verwijderd worden.
- Houd bij het opwarmen van voedsel in plastic of papieren bakjes de magnetronoven in de gaten in verband met ontbrandingsgevaar.
- Als er rook wordt waargenomen, moet u het apparaat uitschakelen of de stekker uit het stopcontact halen en het deurtje gesloten houden om eventuele vlammen te doven.
- Laat het voedsel niet te gaar worden.
- Gebruik de ruimte van de magnetron niet voor opslagdoeleinden. Bewaar geen voorwerpen, zoals brood, koekjes, enz. in de magnetronoven.
- Verwijder de sluitingen en metalen handgrepen van papieren of plastic bakjes/zakken voordat u ze in de magnetronoven plaatst.
- Installeer of plaats deze oven alleen in overeenstemming met de meegeleverde montage-instructies.
- Eieren in hun schaal en hele hardgekookte eieren mogen niet in magnetrons worden verwarmd omdat deze kunnen exploderen, zelfs nadat het verwarmen in de magnetron is beëindigd.
- Gebruik dit apparaat alleen voor het beoogde gebruik zoals beschreven in de gebruiksaanwijzing. Gebruik geen bijtende chemicaliën of dampen in dit apparaat. Deze magnetronoven is speciaal ontworpen om te verwarmen. Het is niet ontworpen voor industrieel gebruik of in het laboratorium.
- Bewaar of gebruik dit apparaat niet buitenshuis.
- Gebruik deze magnetronoven niet in de buurt van water, in een vochtige kelder of in de buurt van een zwembad.
- De temperatuur van de bereikbare oppervlakken kan hoog oplopen wanneer het apparaat in werking is. De oppervlakken kunnen heet worden tijdens het gebruik. Houd het snoer uit de buurt van verwarmde oppervlakken en dek de ventilatieopeningen van de magnetronoven niet af.

- Laat het snoer niet over de rand van de tafel of het aanrecht hangen.
- Als u de magnetronoven niet schoon houdt, kan dit leiden tot aantasting van het oppervlak, wat de levensduur van het apparaat nadelig kan beïnvloeden en mogelijk tot een gevaarlijke situatie kan leiden.
- **Waarschuwing:** De inhoud van zuigflessen en potjes babyvoeding moet worden geroerd of geschud en de temperatuur moet vóór consumptie worden gecontroleerd om brandwonden te voorkomen.
- **Waarschuwing:** Bij het opwarmen van dranken in de magnetron, kan de vloeistof vertraagd beginnen te koken, daarom moet voorzichtig met de container worden omgegaan.
- Vloeistoffen zoals water, koffie en thee kunnen oververhit raken tot voorbij het kookpunt zonder dat het lijkt alsof ze koken.
- Schakel de stroomtoevoer naar het apparaat altijd uit en ontkoppel deze voordat u het apparaat schoonmaakt of onderhoud uitvoert.
- Laat verpakkingsmateriaal niet binnen handbereik van kinderen. Dank verpakkingsmateriaal af in overeenstemming met de regelgeving van de plaatselijke autoriteiten.
- Indien de stroomkabel beschadigd is geraakt, moet deze door een BUFFALO-agent of een erkende technicus worden vervangen om gevaarlijke situaties te vermijden.
- Dit apparaat is niet bedoeld voor gebruik door personen met lichamelijke, zintuiglijke of mentale beperkingen (inclusief kinderen) of met gebrek aan ervaring of kennis tenzij zij hierin worden begeleid of zijn opgeleid in het gebruik van het apparaat door een persoon, die verantwoordelijk is voor hun veiligheid.
- Houd kinderen onder toezicht zodat zij het apparaat niet als speelgoed gebruiken.
- Gebruik de magnetronoven niet als deze leeg is.
- De magnetronoven mag niet in een kast worden geplaatst, tenzij deze in een kast is getest.
- Het apparaat is niet bedoeld om te worden bediend door middel van een externe timer of een afzonderlijk afstandsbedieningssysteem.

- Geen straal-/hogedrukreinigers gebruiken voor het reinigen van het apparaat.
- Buffalo beveelt aan dat dit apparaat periodiek (minstens jaarlijks) door een bevoegd persoon wordt getest. Testen moeten omvatten, maar zijn niet beperkt tot: Visuele inspectie, polariteitstest, continuïteit van aarding, continuïteit van isolatie en functionele test.

Inleiding

Neem de tijd en lees deze handleiding aandachtig door. Correct onderhoud en gebruik van deze machine levert de best mogelijke prestaties voor uw BUFFALO-product.

Verpakkingsinhoud

Het volgende is inbegrepen:

- Magnetronoven
- Gebruikshandleiding

BUFFALO is trots op haar kwaliteit en service en garandeert dat de inhoud, op het ogenblik van de verpakking, volledig functioneel en vrij van schade is.

Als u vaststelt dat uw product tijdens het transport schade heeft opgelopen, neem dan onmiddellijk contact op met uw BUFFALO-dealer.

Installatie

1. Verwijder al het verpakkingsmateriaal. Zorg ervoor dat alle plastic bescherm laagjes en coatings goed verwijderd zijn van alle oppervlakken.



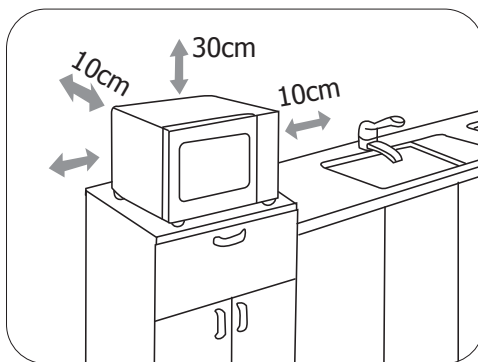
Waarschuwing: Controleer op een van de volgende beschadigingen die mogelijk is opgetreden:

- Niet goed uitgelijnd of verbogen deurtje, beschadigde deurafdichtingen/afdichtingsoppervlak, gebroken/losse deurscharnieren, deuken aan de binnenkant van de magnetronoven.
- Gebruik de magnetronoven NIET als er schade wordt geconstateerd. Bel een BUFFALO-vertegenwoordiger of een gekwalificeerde technicus.

2. Plaats de magnetronoven op een vlakke, stabiele en hittebestendige ondergrond. Voor voldoende ventilatie moet er minimaal 30 cm ruimte boven de oven zijn, 10 cm aan de achterkant en de rechterkant. De linkerkant moet open zijn.

Opmerking: Bedek of blokkeer geen openingen van het apparaat en verwijder de voetjes niet.

3. Plaats de oven zo ver mogelijk uit de buurt van radio's en tv's, omdat het gebruik van dit apparaat de ontvangst van uw radio of tv kan verstoren.

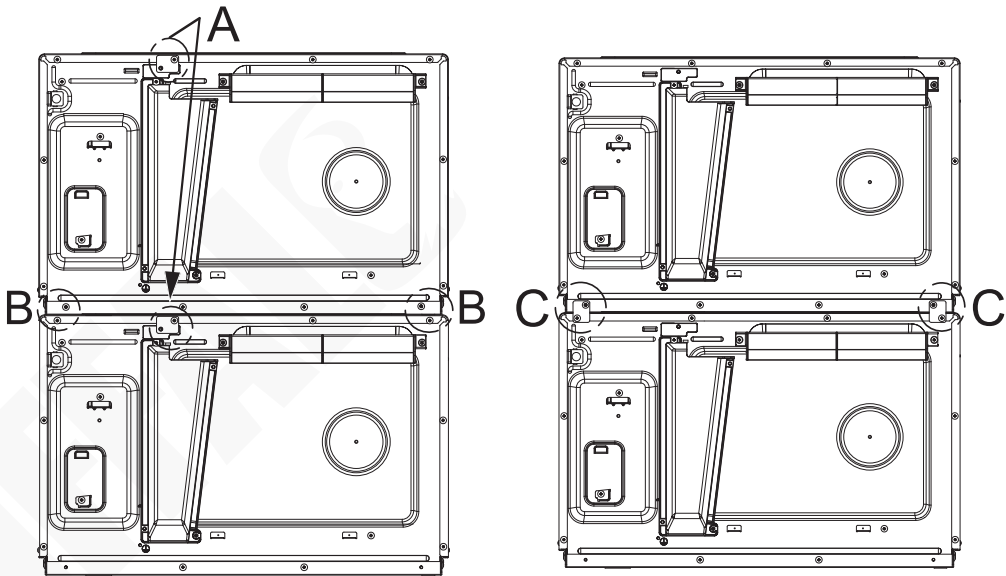


Het apparaat stapelen



Opmerking: Om ruimte te besparen, mag u maximaal 2 apparaten op elkaar zetten. Zie de instructies hieronder voor meer informatie.

1. Draai de schroeven los waarmee de montagepanelen zijn bevestigd. Verwijder de montagepanelen vervolgens en draai de schroeven weer op hun plek vast (Stap A).
2. Verwijder de 4 schroeven zoals aangegeven in Stap B.
3. Plaats de bevestigingspanelen op de samengevoegde delen van de 2 magnetrons en zet deze vervolgens vast met de zojuist verwijderde schroeven (Stap C).



Keukengerie

Raadpleeg de instructies in dit hoofdstuk voor keukengerie welke u kunt gebruiken/dient te vermijden bij het gebruik van de magnetronoven.

In geval van twijfel controleer de instructies van de fabrikant of uw keukengerie al dan niet geschikt is voor de magnetron.

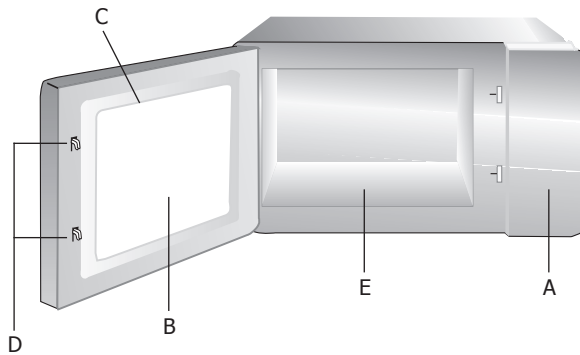
Materialen die u in de magnetronoven kunt gebruiken

Keukengerei (niet inbegrepen)	Opmerkingen
Bruiningsschotel	Volg de instructies van de fabrikant op. De bodem van de bruiningsschotel moet voorzichtig op de keramische plaat worden geplaatst. Bij verkeerd gebruik kan de keramische plaat breken.
Servies	Alleen geschikt voor de magnetronoven. Volg de instructies van de fabrikant op. Gebruik geen gebarsten of beschadigde schotels.
Glazen potten	Verwijder altijd de deksel. Alleen gebruiken om voedsel te verwarmen tot het net warm genoeg is. De meeste glazen potten zijn niet hittebestendig en kunnen breken.
Glasservies	Alleen hittebestendig glasservies voor de magnetronoven. Zorg ervoor dat er geen metalen randen zijn. Gebruik geen gebarsten of beschadigde schotels.
Magnetronoven kookzakjes	Volg de instructies van de fabrikant op. Niet vastmaken met een metalen sluiting. Maak inkepingen om de stoom te laten ontsnappen.
Papieren borden en bekens	Alleen gebruiken voor kortstondig koken/opwarmen. Laat de magnetronoven tijdens het eten klaarmaken niet onbeheerd achter.
Keukenpapier	Gebruiken om voedsel af te dekken voor het opwarmen en absorberen van vet. Gebruik alleen onder toezicht tijdens een kortstondige bereiding van het eten.
Perkametpapier	Gebruik als afdekking om spatten te voorkomen of als wikkel om te stomen.
Plastic	Alleen geschikt voor de magnetronoven. Volg de instructies van de fabrikant. Op het etiket moet "magnetronbestendig" staan. Sommige plastic bakjes worden zacht naargelang het voedsel erin heet wordt. "Kookzakjes" en stevig gesloten plastic zakjes moeten volgens de aanwijzingen op de verpakking worden opengesneden, doorgeprikt of opengemaakt.
Huishoudfolie	Alleen geschikt voor de magnetronoven. Gebruik het om voedsel tijdens het koken af te dekken om zo vocht vast te houden. Laat huishoudfolie niet in aanraking komen met voedsel.
Thermometer	Alleen geschikt voor de magnetron (vlees- en suikerthermometers).
Waspapier	Gebruik een deksel om spatten te voorkomen en om vocht vast te houden.

Materialen die in de magnetronoven moeten worden vermeden

Keukengerei (niet inbegrepen)	Opmerkingen
Aluminium dienblad	Kan vonken veroorzaken. Breng het voedsel over in een magnetronbestendige schaal.
Voedselkarton met metalen handgreep	Kan vonken veroorzaken. Breng het voedsel over in een magnetronbestendige schaal.
Metalen of met metaal afgezet keukengerei	Metaal beschermt het voedsel tegen energie van de magnetronoven. Metalen afwerking kan vonken veroorzaken.
Metalen sluitingen	Kan vonken veroorzaken en kan brand veroorzaken in de magnetronoven.
Papieren zakjes	Kan brand in de magnetronoven veroorzaken.
Kunststofschuim	Kunststofschuim kan smelten of de vloeistof binnenin verontreinigen bij blootstelling aan hoge temperatuur.
Hout	Hout droogt uit wanneer het in de magnetronoven wordt gebruikt en kan splijten of barsten.

Uw apparaat leren kennen

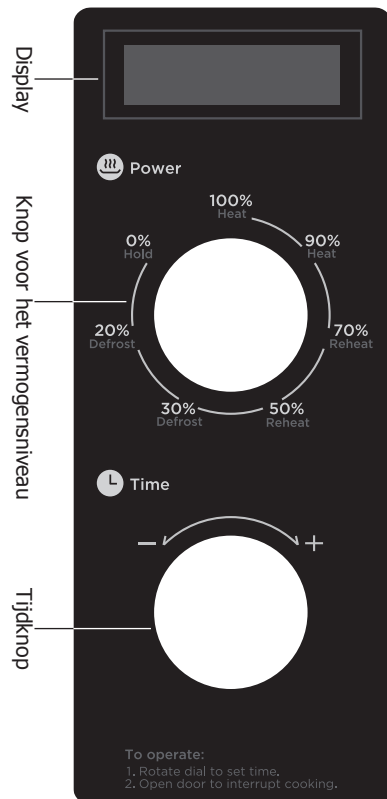


- A) Bedieningspaneel
 B) Kijkvenster
 C) Deurtje
 D) Veiligheidsvergrendelingsysteem
 E) Keramische plaat

Opmerking:

1. Druk **NIET** hard op de keramische plaat.
2. Pak en leg het keukengerei voorzichtig neer om beschadiging aan de keramische plaat te voorkomen.
3. Raak de keramische plaat na gebruik **NIET** met de hand aan om brandwonden door hoge temperaturen te voorkomen.

A) Bedieningspaneel:



Bediening



Opmerking: Veeg vóór het eerste gebruik de binnenkant schoon en laat het goed drogen.

Stand-bymodus

1. Sluit het apparaat aan op het stroomnet. Het display zal " _ _ _ _ _ " weergeven.
2. Als het display blanco wordt, schakelt het apparaat op stand-by.
3. Tijdens de stand-bymodus kan geen enkele knop worden gedraaid.

Klaarmodus

1. Open en sluit de deur in de stand-bymodus om naar de Klaarmodus te gaan.
2. In de Klaarmodus, wordt "READY" weergegeven.

Begin met koken

1. Draai, in de Klaarmodus, de knop voor het vermogensniveau naar het gewenste vermogensniveau.

Vermogen	100%	90%	70%	50%	30%	20%	0%
Display	100	90	70	50	30	20	0

2. Selecteer de kooktijd met de tijdknop (maximale tijd: 60 minuten). Het apparaat zal na ongeveer 2 seconden automatisch starten.
3. Na het verstrijken van de kooktijd geeft het apparaat een geluidssignaal en wordt "DONE" weergegeven.
4. Spoedig zal het display veranderen in "READY" om aan te geven dat de magnetron zich weer in de Klaarmodus bevindt.
5. De ventilator blijft nog 1 minuut draaien om het apparaat af te koelen en stopt vervolgens automatisch. De oven staat nu weer op de "Stand-bymodus".



Opmerking: Tijdens het koken kunnen het vermogensniveau en de kooktijd op elk gewenst moment worden aangepast.



Opmerking: Als tijdens het koken de deur wordt geopend, wordt het display blanco en wordt het koken geannuleerd.

Reiniging, zorg & onderhoud



- Schakel het apparaat uit en trek de stekker uit het stopcontact voordat u deze reinigt.
- Houd de magnetronoven altijd schoon!
- Maak het frame van het deurtje, de afdichting en de aangrenzende onderdelen voorzichtig met een vochtige doek schoon als ze vuil zijn.

Schoonmaken van het deurtje en de voorkant van de magnetronoven

- Voor de beste prestaties en om de hoge mate van veiligheid te behouden, moeten het binnenste deurpaneel en de voorkant van de magnetronoven vrij zijn van voedselresten of vetophoping.
- Veeg deze onderdelen af met een mild schoonmaakmiddel, spoel ze af en veeg ze droog. Gebruik nooit schuurpoeders of -sponsjes.

Schoonmaken van het bedieningspaneel en de kunststof onderdelen

- Gebruik geen schoonmaakmiddel of een alkalisch spuitmiddel op het bedieningspaneel en de plastic onderdelen.
- Gebruik een droge doek (geen doorweekte doek) om deze onderdelen schoon te maken.
- Zorg ervoor dat het bedieningspaneel niet nat wordt.

Schoonmaken van de binnenkant van de magnetronoven

- Zorg ervoor dat u na gebruik gemorste vloeistoffen, oliespetters en etensresten zo snel mogelijk verwijdert.
- Als de magnetronoven vuil wordt gebruikt, neemt de efficiëntie af en blijft het vuil aan het ovenoppervlak plakken. Dit kan onaangename geurtjes veroorzaken. Maak de binnenkant schoon met een doek gedrenkt in lauw water met daarin een mild schoonmaakmiddel opgelost en veeg de zeep vervolgens met een vochtige doek af.

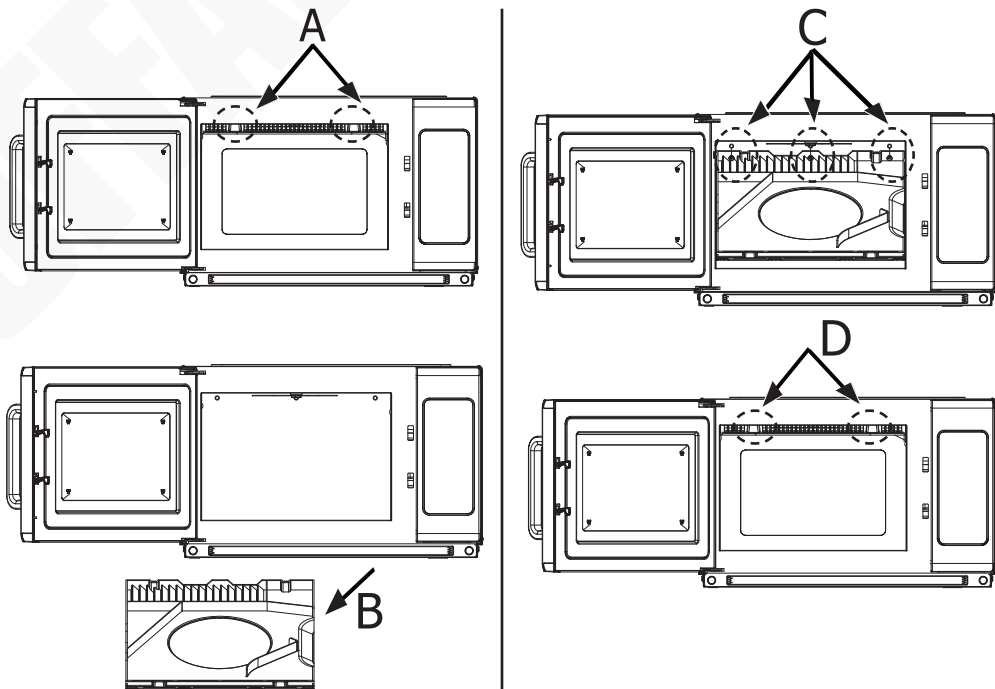


Verwijder eventuele onaangename geurtjes aan de binnenkant van de magnetronoven door een kopje water met het sap van 1 citroen gedurende 5 minuten in de magnetronoven te verwarmen. Veeg de magnetronoven met een zachte droge doek schoon.

De olieopvangbak reinigen

De magnetronoven is uitgerust met een uitneembare olieopvangbak voor gemakkelijke en grondige reiniging. Deze opvangbak zit onder het binnenplafond van de magnetronoven.

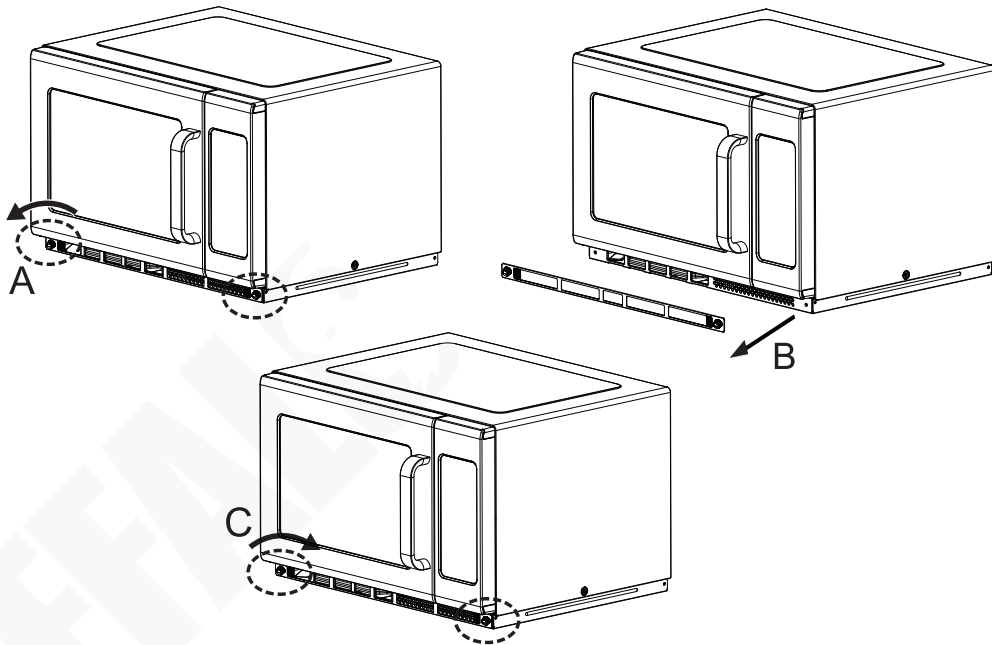
- Houd de 2 inkepingen op de voorzijde van de opvangbak ingedrukt om de opvangbak te verwijderen (Stap A). Druk de gehele opvangbak gelijktijdig naar achteren om te ontgrendelen. Trek de opvangbak vervolgens uit de oven (Stap B).
- Reinig de olieopvangbak met een mild schoonmaakmiddel, spoel het af en veeg droog.
- Om de opvangbak te installeren, houdt u de opvangbak vast en steekt u de 3 pinnen aan de achterkant in de gaten op de achterwand van de magnetron (Stap C).
- Druk de rechter inkeping naar achteren totdat het rechter gedeelte van de opvangbak vergrendelt. Herhaal dit om het linker deel op zijn plek te vergrendelen (Stap D).



Het filter reinigen

De magnetron is uitgerust met een uitneembaar filter voor gemakkelijke en grondige reiniging.

- Maak de bevestigingspennen los (Stap A) en verwijder vervolgens het filter (Stap B).
- Reinig het filter met een zachte borstel.
- Zet het filter weer op zijn plaats en zet het vast met de pennen (Stap C).



Probleemoplossing

Indien nodig moet een gekwalificeerde technicus reparaties uitvoeren.

Probleem	Mogelijke oorzaak	Oplossing
De eenheid werkt niet	Het apparaat staat uit	Controleer of de stroomkabel van het apparaat is aangesloten en of het apparaat is ingeschakeld
	Stekker of kabel is beschadigd	Vervang stekker of kabel
	Storing in de netvoeding	Controleer de netvoeding
	De deur is niet goed gesloten	Sluit de deur veilig
Ontsteking/vonken	U gebruikt metalen of andere niet geschikte materialen	Verwijder metalen objecten. Uitsluitend magnetronveilig kookgerei gebruiken
	Gemorste etensresten in de oven	Reinig het interieur van de oven
	De oven wordt leeg gebruikt	Gebruik de magnetronoven niet als deze leeg is. Dit is erg gevaarlijk
Magnetronoven verstoort ontvangst van de tv	Radio- en tv-ontvangst wordt verstoord wanneer het apparaat in werking is.	Het is normaal
Stoom verzamelt zich op het deurtje en hete lucht komt uit de ventilatieopeningen	Tijdens het eten voorbereiden, kan er stoom uit het voedsel komen. De meeste stoom komt uit de ventilatieopeningen, maar het kan zich ook ophopen op koele plaatsen zoals het deurtje van de magnetronoven.	Het is normaal
Gedimd magnetronovenlicht	Bij magnetrongebruik met laag vermogen kan het licht van de magnetronoven gedimd worden.	Het is normaal

Technische specificaties

Opmerking: Als gevolg van ons voortdurende programma van onderzoek en ontwikkeling, kunnen de specificaties hierin zonder voorafgaande kennisgeving worden gewijzigd.

Model	Spanning	Vermogen	Stroom	Oveninhoud	Werkfrequentie	Afmetingen h x b x d (mm)	Gewicht (kg)
FB863	230-240V~ 50Hz	3000W	1800W	34L	2450MHz	368 x 574 x 528	33,3
FE141-E	230~ 50Hz						

Elektrische bedrading

Men dient de stekker op een geschikt stopcontact aan te sluiten.

De bedrading van dit apparaat is als volgt:

- Stroomkabel (bruin) naar de aansluitklem gemarkeerd met L
- Neutraalkabel (blauw) naar de aansluitklem gemarkeerd met N
- Aardekabel (groen/geel) naar de aansluitklem gemarkeerd met E

Dit apparaat moet worden geaard.



Bij twijfels raadpleeg een vakkundige elektricien.

De elektrische isolatiepunten mogen niet worden geblokkeerd. In geval van een nooduitschakeling moeten de isolatiepunten direct toegankelijk zijn.

Productconformiteit

Het WEEE-logo op dit product of in de bijbehorende documentatie geeft aan dat het product niet onder huisvuil valt en als zodanig ook niet mag worden verwerkt. Ter preventie van mogelijke gevaren voor de gezondheid van personen en/of voor het milieu, dient men dit product in overeenstemming met het voorgeschreven en milieuveilige recyclingproces als afval te verwerken. Raadpleeg uw productleverancier of uw plaatselijk afvalverwerkingsbedrijf voor meer informatie over de juiste afvalverwerking van dit product.



De onderdelen van BUFFALO-producten hebben strenge producttesten ondergaan om te voldoen aan wettelijke regels en specificaties die door internationale, onafhankelijke en landelijke overheden worden voorgeschreven.



Producten van BUFFALO zijn goedgekeurd om het volgende symbool te dragen:

Alle rechten voorbehouden. Het is verboden om deze handleiding, hetzij volledig of gedeeltelijk, elektronisch of mechanisch te reproduceren, kopiëren, op opslagmedia op te slaan of op enigerlei wijze over te dragen, zonder voorafgaande goedkeuring van BUFFALO.

Wij hebben er alles aan gedaan om er zeker van te zijn dat op publicatiedatum van de handleiding alle details correct zijn, desondanks, behoudt BUFFALO het recht voor om specificaties zonder aankondiging te wijzigen.

Consignes de sécurité

Pour réduire les risques d'incendie, d'électrocution, de blessures ou d'exposition excessive à l'énergie des micro-ondes, respectez les précautions de base lors de votre utilisation, dont les suivantes :



PRÉCAUTIONS À PRENDRE POUR ÉVITER UNE EXPOSITION POSSIBLE À L'ÉNERGIE DES MICRO-ONDES

N'essayez pas de faire fonctionner ce four la porte ouverte, car cela peut provoquer une exposition nocive à l'énergie des micro-ondes. Il est important de ne pas casser ou altérer les verrouillages de sécurité.

Ne placez aucun objet entre l'avant du four et la porte et ne laissez pas de saleté ou de résidus de nettoyage s'accumuler sur les surfaces d'étanchéité.

Avertissement : Si la porte ou les joints de la porte sont endommagés, le four ne doit pas être utilisé tant qu'il n'a pas été réparé par une personne compétente.

- Placez l'appareil sur une surface plane, stable.
- L'installation et les éventuelles réparations doivent être confiées à un dépanneur/technicien qualifié. Ne retirez aucun élément de ce produit.
- Consultez les normes locales et nationales pour vous conformer à ce qui suit :
 - lois sur l'hygiène et la sécurité au travail ;
 - codes de bonnes pratiques BS EN ;
 - précautions contre le risque d'incendie ;
 - réglementations sur les branchements électriques IEE ;
 - règlements sur la construction.
- **Avertissement :** Les liquides et autres aliments ne doivent pas être chauffés dans des récipients hermétiques, car ceux-ci risquent d'exploser.

- **Avvertissement :** Il est dangereux pour toute personne autre qu'une personne compétente d'effectuer une intervention d'entretien ou de réparation qui implique le retrait d'un cache protégeant contre l'exposition à l'énergie des micro-ondes.
- Utilisez uniquement les ustensiles adaptés à un usage en four à micro-ondes.
- Le four doit être nettoyé régulièrement et tout dépôt alimentaire doit être retiré.
- Quand vous faites chauffer des aliments dans des récipients en plastique ou en papier, surveillez le four, en raison du risque d'inflammation.
- Si vous remarquez de la fumée, éteignez ou débranchez l'appareil et gardez la porte fermée pour étouffer les flammes éventuelles.
- Ne surcuisez pas les aliments.
- N'utilisez pas le compartiment du four à des fins de rangement. Ne placez pas d'aliments tels que le pain, les gâteaux secs, etc. à l'intérieur du four.
- Retirez les liens de fermeture et les poignées métalliques des récipients/sacs en papier ou en plastique avant de les introduire dans le four.
- Installez ou posez ce four en respectant strictement les instructions d'installation fournies.
- Les œufs dans leur coquille et les œufs durs entiers ne doivent pas être chauffés dans un four à micro-ondes, car ils peuvent exploser, même après la fin du chauffage.
- Utilisez uniquement cet appareil pour les usages décrits dans ce manuel. N'utilisez pas de produits chimiques sur cet appareil et ne l'exposez pas à des vapeurs corrosives. Ce four est spécifiquement conçu pour réchauffer. Il n'est pas destiné à un usage industriel ou en laboratoire.
- Ne rangez pas et n'utilisez pas cet appareil à l'extérieur.
- N'utilisez pas ce four près d'une source d'eau, sur un sol humide ou près d'une piscine.

- La température des surfaces accessibles peut être élevée lorsque l'appareil est en marche. Les surfaces peuvent devenir très chaudes pendant l'utilisation. Éloignez le cordon des surfaces chaudes et ne couvrez surtout pas les aérations du four.
- Ne laissez pas le cordon pendre au bord d'une table ou d'un plan de travail.
- L'absence d'entretien du four peut entraîner la détérioration de la surface et peut altérer irréversiblement la durée de vie de l'appareil et provoquer des situations dangereuses.
- **Avertissement** : Le contenu des pots d'aliments pour bébés doit être remué ou agité et la température doit être vérifiée avant consommation, afin d'éviter les brûlures.
- **Avertissement** : Le chauffage des boissons par micro-ondes entraîne une ébullition éruptive retardée, il faut donc faire attention lors de la manipulation du récipient.
- Les liquides tels que l'eau, le café et le thé peuvent surchauffer au-delà du point d'ébullition sans en donner l'apparence.
- Éteignez et débranchez toujours l'alimentation de l'appareil avant de nettoyer ou de faire une opération de maintenance.
- Gardez les emballages hors de portée des enfants. Débarrassez-vous des emballages conformément aux réglementations des autorités locales.
- Un cordon d'alimentation endommagé doit être remplacé par un agent BUFFALO ou un technicien qualifié recommandé, pour éviter tout danger.
- Cet appareil n'a pas été conçu pour être utilisé par des personnes (enfants inclus) à capacités physiques, sensorielles ou mentales réduites ou ne disposant pas d'une expérience ou de connaissances suffisantes, à moins que lesdites personnes n'aient été formées ou instruites quant à son utilisation, par une personne responsable de leur sécurité.
- Les enfants doivent être surveillés pour s'assurer qu'ils ne jouent pas avec l'appareil.
- Ne faites pas fonctionner le four à vide.
- Le four micro-ondes ne doit pas être placé dans un placard, à moins d'y avoir été testé.
- L'appareil n'est pas conçu pour fonctionner au moyen d'un programmateur externe ou d'un système distinct de télécommande.

- N'utilisez pas de nettoyeur à jet ou à pression pour nettoyer l'appareil.
- Buffalo recommande de faire tester régulièrement cet appareil (une fois par an au minimum) par une personne compétente. Les tests doivent inclure, sans s'y limiter, les éléments suivants : inspection visuelle, test de polarité, continuité de la terre, continuité de l'isolation et test fonctionnel.

Introduction

Nous vous invitons à consacrer quelques instants à lire attentivement de ce mode d'emploi. L'entretien et l'utilisation appropriés de cette machine vous permettront de tirer le meilleur de votre produit BUFFALO.

Contenu de l'emballage

Les éléments suivants sont inclus :

- Four micro-ondes
- Mode d'emploi

BUFFALO attache une grande importance à la qualité et au service et veille à fournir des produits entièrement fonctionnels parfaitement intacts au moment de l'emballage.

Nous vous prions de contacter votre revendeur BUFFALO immédiatement si vous constatez un dommage quelconque survenu pendant le transport du produit.

Installation

1. Retirez tous les matériaux d'emballage. Veillez à ce que tous les films plastiques et revêtements de protection soient soigneusement retirés de toutes les surfaces.



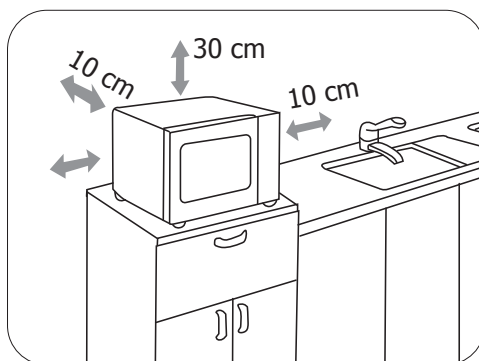
Avvertissement : Vérifiez que votre appareil n'ait subi aucun des dommages suivants :

- **Porte mal alignée ou déformée, joints de porte/surface d'étanchéité endommagés, charnières de porte cassées/desserrées, bosses à l'intérieur du four.**
- **N'utilisez PAS le four si ces dommages sont constatés. Appelez un agent BUFFALO ou un technicien qualifié.**

2. Posez le four sur une surface plane, stable et résistante à la chaleur. Pour une ventilation suffisante, prévoyez un espace minimum de 30 cm au-dessus du four, 10 cm à l'arrière et sur le côté droit. Le côté gauche doit être ouvert.

Remarque : Ne couvrez pas et ne bloquez pas les ouvertures de l'appareil, et n'enlevez pas les pieds.

3. Placez le four aussi loin que possible des radios et des téléviseurs, car le fonctionnement de l'appareil peut provoquer des interférences avec votre réception radio ou TV.

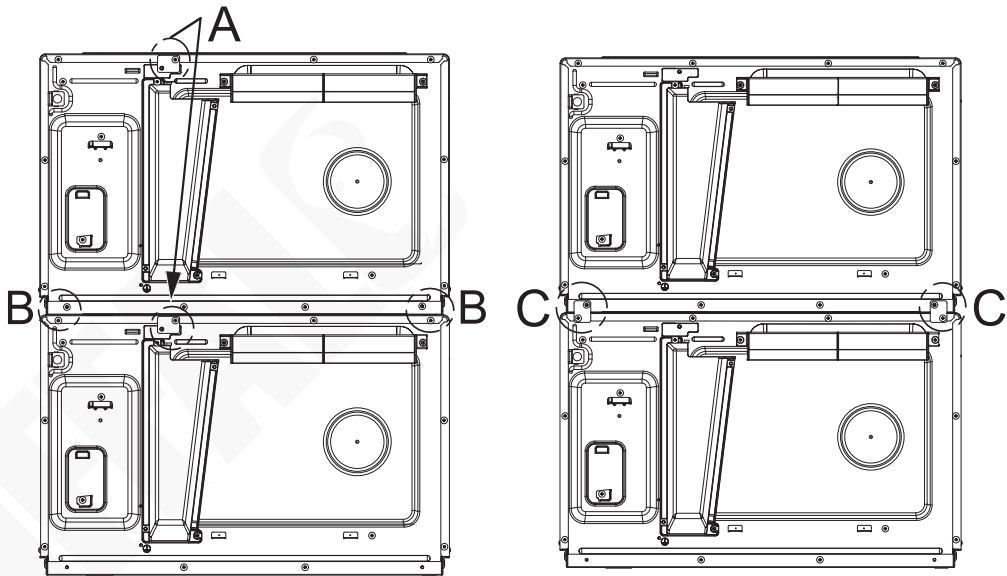


Empilement de l'appareil



Remarque : Pour gagner de l'espace, il est possible d'empiler au maximum 2 appareils. Pour plus de détails, veuillez suivre les instructions ci-dessous.

1. Desserrez les vis qui fixent les plaques de montage. Retirez ensuite les plaques de fixation et resserrez les vis en place (étape A).
2. Retirez les 4 vis comme indiqué à l'étape B.
3. Placez les plaques de fixation à la jonction des 2 fours, puis vissez-les avec les vis qui ont été retirées (étape C).



Ustensiles

Lisez les instructions dans ce chapitre concernant les ustensiles à utiliser/éviter avec le micro-ondes.

En cas de doute, consultez les instructions du fabricant pour savoir si votre ustensile est dangereux ou non.

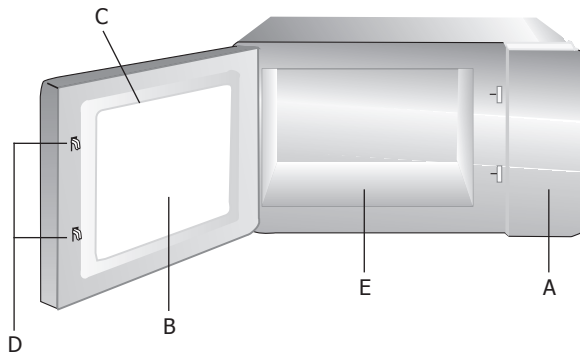
Matériels utilisables dans un four micro-ondes

Ustensiles (non inclus)	Observations
Plat brunisseur	Respectez les consignes du fabricant. Le fond du plat brunisseur doit être posé doucement sur le plateau en céramique. Une utilisation incorrecte pourrait provoquer la rupture du plateau en céramique.
Vaisselle	Compatible micro-ondes seulement. Respectez les consignes du fabricant. N'utilisez pas de plats fêlés ou ébréchés.
Bocaux	Ôtez toujours le couvercle. Utilisez-les uniquement pour réchauffer les aliments jusqu'à ce qu'ils soient juste chauds. La plupart des bocaux ne résistent pas à la chaleur et peuvent se briser.
Verrerie	Verrerie spéciale allant au four uniquement. Vérifiez qu'elle ne contient pas de métal. N'utilisez pas de plats fêlés ou ébréchés.
Sacs de cuisson au four	Respectez les consignes du fabricant. Ne fermez pas le sac avec un lien métallique. Percez-les pour permettre à la vapeur de s'échapper.
Assiettes et verres en papier	À n'utiliser que pour une cuisson/un réchauffement très court. Ne vous éloignez pas du four pendant la cuisson.
Serviettes en papier	Utilisez-les pour couvrir vos aliments lors du réchauffage et pour absorber les graisses. Utilisez-les sous surveillance pour une cuisson très courte uniquement.
Papier sulfurisé	Utilisez-le comme couverture pour éviter les éclaboussures ou en papillote pour la cuisson vapeur.
Plastique	Compatible micro-ondes seulement. Respectez les consignes du fabricant. Le plastique doit comporter la mention « Utilisable au micro-ondes ». Certains récipients en plastique fondent lorsque les aliments qu'ils contiennent deviennent chauds. Les « sachets cuisson » et les sacs en plastique hermétiquement fermés doivent être fendus, percés ou ouverts, comme indiqué sur l'emballage.
Film plastique	Compatible micro-ondes seulement. Utilisez-le pour couvrir vos aliments lors de la cuisson pour conserver l'humidité. Ne laissez pas le film plastique entrer en contact avec les aliments.
Thermomètres	Uniquement les thermomètres allant au micro-ondes (thermomètres pour la viande ou de confiseur).
Papier paraffiné	Utilisez-le comme couverture pour éviter les éclaboussures et conserver l'humidité.

Matériels à éviter dans un four à micro-ondes

Ustensiles (non inclus)	Observations
Plateau en aluminium	Il peut provoquer la création d'arcs électriques. Transférez vos aliments dans un plat allant au micro-ondes.
Cartons alimentaires avec poignée métallique	Il peut provoquer la création d'arcs électriques. Transférez vos aliments dans un plat allant au micro-ondes.
Ustensiles en métal ou comportant du métal	Le métal empêche l'énergie à micro-ondes d'atteindre les aliments. Les armatures métalliques peuvent provoquer la création d'arcs électriques
Liens métalliques	Ils peuvent provoquer la création d'arcs électriques et entraîner un incendie dans le four.
Sacs en papier	Ils peuvent provoquer un incendie dans le four.
Mousse plastique	La mousse plastique peut fondre ou contaminer le liquide à l'intérieur lorsqu'elle subit de fortes températures.
Bois	Le bois sèche s'il est placé dans un four à micro-ondes et peut se fendre ou se craqueler.

Description de votre appareil

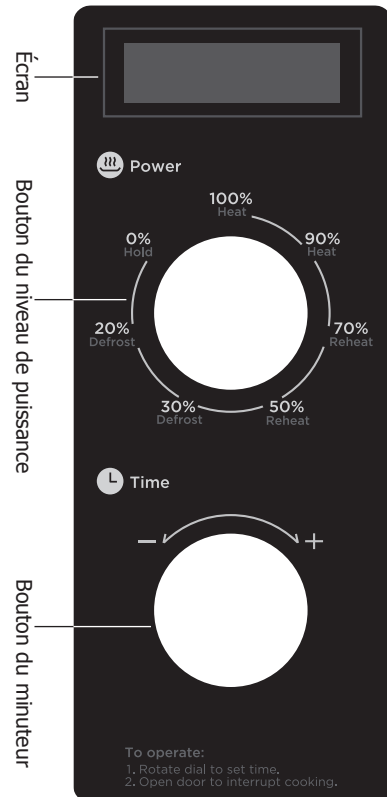


- A) Bandeau de commandes
- B) Vitre de surveillance
- C) Ensemble porte
- D) Système de verrouillage de sécurité
- E) Plateau en céramique

Remarque :

1. N'appuyez PAS fort sur le plateau en céramique.
2. Retirez et déposez les ustensiles délicatement pour éviter d'endommager la plaque en céramique.
3. Après utilisation, NE touchez PAS la plaque en céramique avec les mains pour éviter les brûlures dues aux températures élevées.

A) Bandeau de commande :



Fonctionnement



Remarque : Avant la première utilisation, nettoyez les surfaces inférieures et séchez-les bien.

Mode Veille

1. Branchez l'appareil sur le secteur. L'écran affiche « _ _ _ _ _ ».
2. Quand l'écran devient noir, l'appareil entre en mode Veille.
3. En mode veille, aucune touche ne peut être tournée.

Mode Prêt

1. Une fois en mode Veille, ouvrez puis fermez la porte pour passer en mode Prêt.
2. En mode Prêt, « READY » s'affiche à l'écran.

Début de la cuisson

1. En mode Prêt, positionnez le bouton du niveau de puissance sur le niveau souhaité.

Puissance	100 %	90 %	70 %	50 %	30 %	20 %	0 %
Écran	100	90	70	50	30	20	0

2. Sélectionnez le temps de cuisson à l'aide du bouton de réglage du temps (Temps maximum : 60 minutes). Après environ 2 secondes, l'appareil démarre automatiquement.
3. Une fois le temps de cuisson terminé, l'appareil émet un son et « DONE » s'affiche à l'écran.
4. L'affichage passe ensuite rapidement à « READY » pour indiquer que le four est à nouveau en mode Prêt.
5. Le ventilateur continue à fonctionner pendant 1 minute pour refroidir l'appareil, avant de s'arrêter automatiquement. Le four entre à nouveau en « mode veille ».



Remarque : Pendant la cuisson, le niveau de puissance et le temps de cuisson peuvent être ajustés à tout moment.



Remarque : Pendant la cuisson, si la porte est ouverte, l'écran s'efface et la cuisson est annulée.

Nettoyage, entretien et maintenance



- **Éteignez et débranchez le congélateur de l'alimentation avant de le nettoyer.**
- **Gardez toujours le four propre !**
- **Nettoyez l'encadrement de porte, les joints et les zones voisines avec un chiffon humide si ces endroits sont sales.**

Nettoyage de la porte et de la façade du four

- Pour de meilleures performances et pour maintenir un haut niveau de sécurité, le panneau intérieur de la porte et la façade du four doivent être exempts d'accumulation d'aliments ou de graisse.
- Nettoyez ces parties avec un détergent doux, rincez et séchez au chiffon. N'utilisez jamais de poudres ou de tampons abrasifs.

Nettoyage du bandeau de commandes et des parties en plastique

- N'appliquez pas de détergent ou de liquide alcalin en spray sur le bandeau de commandes et les parties en plastique, car cela peut les endommager.
- Utilisez un chiffon sec (non trempé) pour nettoyer ces parties.
- Ne mouillez pas le bandeau de commandes.

Nettoyage de l'intérieur du four

- Après utilisation, assurez-vous de retirer les liquides déversés, les éclaboussures d'huile et les débris de nourriture le plus vite possible.
- Si le four est utilisé alors qu'il est sale, le niveau d'efficacité sera réduit et la saleté se collera à la surface du four. Cela peut causer la formation de mauvaises odeurs. Nettoyez l'intérieur avec un chiffon trempé dans de l'eau tiède contenant un détergent doux, puis rincez le savon avec un chiffon humide.

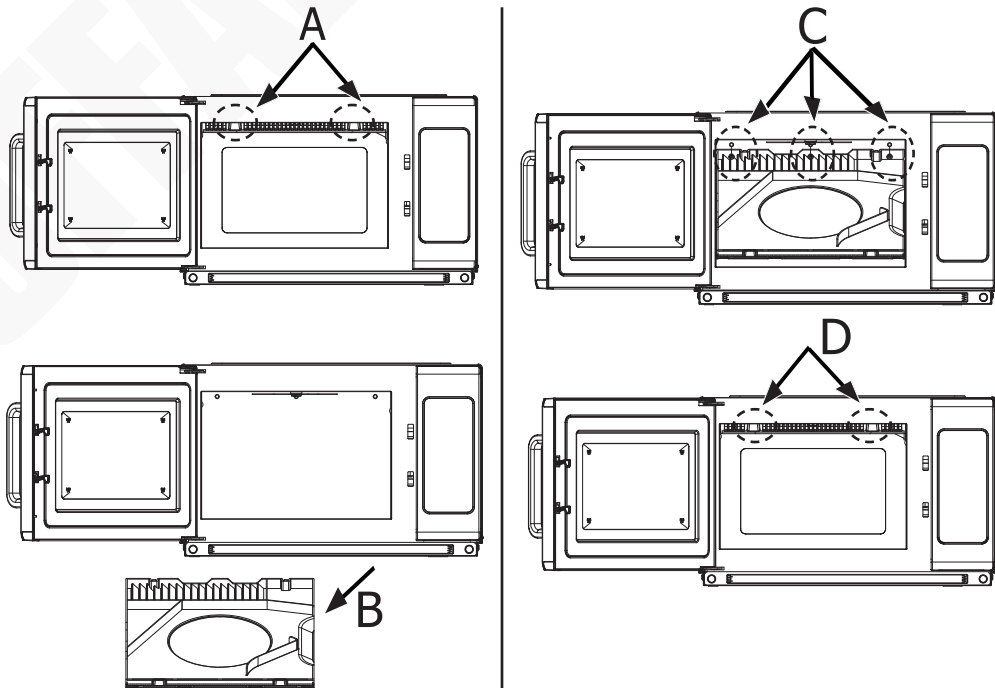


Éliminez les odeurs de l'intérieur du four en faisant chauffer une tasse d'eau avec le jus d'un citron pendant 5 minutes. Essuyez le four avec un chiffon doux sec.

Nettoyage du déflecteur d'huile

Le four est équipé d'un déflecteur d'huile pour permettre un nettoyage facile et en profondeur. Le déflecteur est situé sous le plafond intérieur du four.

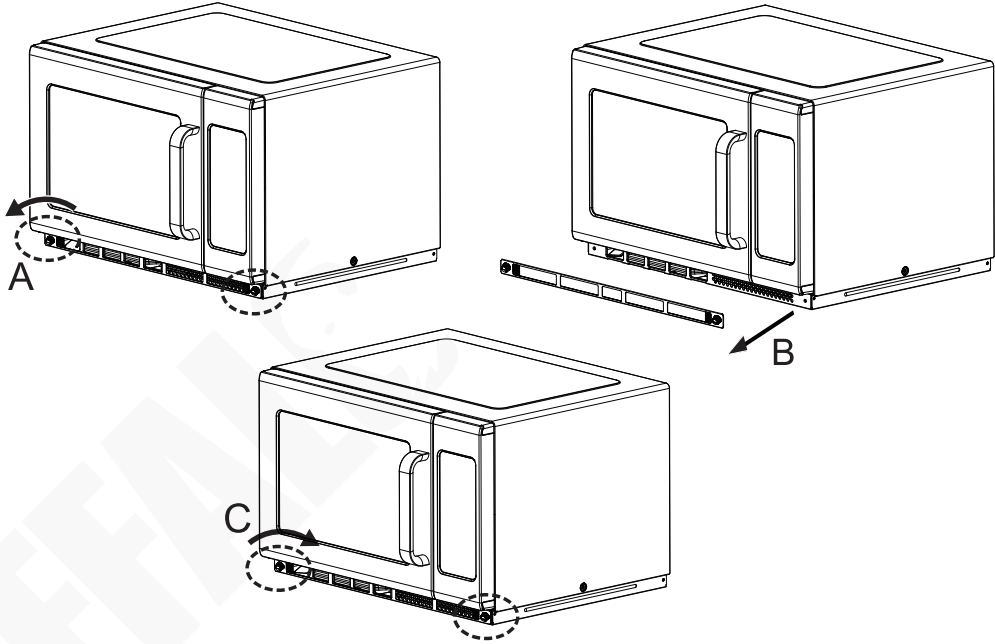
- Pour retirer le déflecteur, maintenez enfoncées les 2 bosselures sur l'avant du déflecteur (étape A). Pendant ce temps, poussez l'ensemble du déflecteur vers l'arrière pour le dégager. Ensuite, retirez le déflecteur du four (étape B).
- Nettoyez le déflecteur avec un détergent doux, rincez et essuyez.
- Pour remettre le déflecteur, maintenez-le en insérant les 3 broches à l'arrière dans les trous situés sur la paroi du fond du four (étape C).
- Poussez la bosselure droite vers l'arrière jusqu'à ce que la partie droite du déflecteur s'enclenche. Répétez la même opération pour enclencher la partie gauche en position (étape D).



Nettoyage du filtre

Le four est équipé d'un filtre amovible pour un nettoyage facile et en profondeur.

- Desserrez les clous de fixation (étape A), puis retirez le filtre (étape B).
- Nettoyez le filtre avec une brosse douce.
- Mettez le filtre en place et fixez-le avec les clous (étape C).



Dépannage

Un technicien qualifié doit effectuer les réparations si nécessaire.

Dysfonctionnement	Cause probable	Intervention
L'appareil ne fonctionne pas	Le congélateur n'est pas allumé	Vérifier que l'appareil est bien branché et allumé
	La fiche ou le câble est endommagé	Remplacez la fiche ou le câble
	Dysfonctionnement de l'alimentation secteur	Vérifier l'alimentation secteur
	La porte n'est pas fermée correctement	Fermez bien la porte
Formation d'arcs électriques/d'étincelles	Utilisation de métaux ou d'autres matériaux inadaptés dans la préparation des aliments	Retirez les objets métalliques. N'utilisez que des ustensiles compatibles avec le micro-ondes
	Les aliments renversés restent à l'intérieur du four	Nettoyer l'intérieur du four
	Le four fonctionne lorsqu'il est vide	Ne faites pas fonctionner le four à vide. C'est très dangereux
Le four micro-ondes interfère avec la réception TV	Les réceptions radio et TV subissent des interférences quand l'appareil fonctionne	Cela est normal
De la vapeur s'accumule sur la porte et de l'air chaud sort des aérations	Pendant la cuisson, de la vapeur peut sortir des aliments. La plupart s'échappera par les aérations, mais une partie peut s'accumuler dans des zones fraîches, comme au niveau de la porte du four	Cela est normal
La lumière du four est faible	En mode de cuisson micro-ondes à faible puissance, la lumière peut s'affaiblir	Cela est normal

Spécifications techniques

Remarque : en raison de notre programme continu de recherche et de développement, les spécifications du présent document peuvent être modifiées sans préavis.

Modèle	Tension	Puissance	Courant	Contenance du four	Fréquence de fonctionnement	Dimensions h x l x p (mm)	Poids (kg)
FB863	230-240 V ~ 50 Hz	3 000 W	1 800 W	34 L	2 450 MHz	368 x 574 x 528	33,3
FE141-E	230 ~ 50 Hz						

Raccordement électrique

La fiche doit être branchée à la prise secteur qui convient.

Cet appareil est câblé comme suit :

- Fil conducteur (brun) à la borne marquée L
- Fil neutre (bleu) à la borne marquée N
- Fil de terre (vert/jaune) à la borne marquée E

Cet appareil doit être mis à la terre.



En cas de doute, consultez un électricien qualifié.

Les points d'isolation électrique doivent être libres de toute obstruction. En cas de débranchement requis en urgence, ils doivent être facilement accessibles.

Conformité

Le logo DEEE qui figure sur ce produit ou sa documentation indique qu'il ne doit pas être mis au rebut avec les ordures ménagères. Pour éviter qu'il ne présente un risque pour la santé humaine et/ou l'environnement, confiez la mise au rebut de ce produit à un site de recyclage agréé respectueux de l'environnement. Pour de plus amples détails sur la mise au rebut appropriée de ce produit, contactez le fournisseur du produit ou l'autorité responsable de l'enlèvement des ordures dans votre région.



Les pièces BUFFALO ont été soumises à des tests rigoureux pour pouvoir être déclarées conformes aux normes et spécifications réglementaires définies par les autorités internationales, indépendantes et fédérales.

Les produits BUFFALO ont été déclarés aptes à porter le symbole suivant :



Tous droits réservés. La production ou transmission, partielle ou intégrale, sous quelque forme que ce soit ou par n'importe quel moyen, tant électronique que mécanique, sous forme de photocopie, d'enregistrement ou autre de ce mode d'emploi sont interdites sans l'autorisation préalablement accordée par BUFFALO.

Nous nous efforçons, par tous les moyens dont nous disposons, de faire en sorte que les détails contenus dans le présent mode d'emploi soient corrects en date d'impression. Toutefois, BUFFALO se réserve le droit de changer les spécifications de ses produits sans préavis.

Sicherheitshinweise

Um das Risiko eines Brandes, eines Stromschlags, von Personenschäden oder der übermäßigen Belastung durch Mikrowellenenergie bei der Verwendung Ihres Geräts zu verringern, beachten Sie grundlegende Sicherheitsmaßnahmen, darunter die folgenden:



VORKEHRUNGEN ZUR VERMEIDUNG EINER MÖGLICHEN BELASTUNG DURCH MIKROWELLENENERGIE

Benutzen Sie die Mikrowelle nicht bei geöffneter Tür, da dies zu einer schädlichen Belastung durch Mikrowellenenergie führen kann. Es ist wichtig, dass die Schutzverriegelungen nicht beschädigt oder verstellt werden.

Legen Sie keine Gegenstände zwischen Vorderseite des Garraums und Tür, und achten Sie darauf, dass sich keine Schmutz- oder Putzmittel-Rückstände auf den Dichtungsflächen ansammeln.

Warnung: Wenn die Tür oder die Türdichtungen beschädigt sind, darf die Mikrowelle nicht in Betrieb genommen werden, bis er von einer kompetenten Fachperson repariert worden ist.

- Auf eine flache, stabile Fläche stellen.
- Alle erforderlichen Montage- und Reparaturarbeiten sollten von Wartungspersonal oder einem qualifizierten Techniker durchgeführt werden. Entfernen Sie keine Komponenten von diesem Gerät.
- Für folgende Normen und Vorschriften sind die lokalen und nationalen Normen heranzuziehen:
 - Arbeitsschutzvorschriften
 - BS EN Verhaltenspraktiken
 - Brandschutzvorschriften
 - IEE-Anschlussvorschriften
 - Bauvorschriften
- **Warnung:** Flüssigkeiten und andere Lebensmittel dürfen nicht in verschlossenen Behältern erhitzt werden, da sie explodieren können.

- **Warnung:** Es ist gefährlich, wenn eine nicht fachkundige Person Wartungs- oder Reparaturarbeiten durchführt, bei denen eine Abdeckung entfernt werden muss, die vor der Einwirkung von Mikrowellenenergie schützt.
- Verwenden Sie nur Geschirr, das für Mikrowellengeräte geeignet ist.
- Das Gerät sollte regelmäßig gereinigt werden, eventuelle Lebensmittelablagerungen sollten entfernt werden.
- Beim Erhitzen von Speisen in Plastik- oder Papierbehältern ist die Mikrowelle wegen der möglichen Zündgefahr im Auge zu behalten.
- Wenn Sie Rauch bemerken, schalten Sie das Gerät aus oder ziehen Sie den Netzstecker und halten Sie die Tür geschlossen, um eventuelle Flammen zu ersticken.
- Speisen nicht übergaren.
- Verwenden Sie den Garraum nicht zur Aufbewahrung. Garraum nicht zur Aufbewahrung von Lebensmitteln wie Brot, Kekse usw. benutzen.
- Drahtverschlüsse und Metallgriffe von Papier- oder Plastikbehältern/-tüten entfernen, bevor sie in die Mikrowelle gestellt werden.
- Die Mikrowelle gemäß den beiliegenden Installationsanweisungen einbauen oder aufstellen.
- Eier in der Schale und ganze hartgekochte Eier sollten nicht im Mikrowellenherd erhitzt werden, da sie explodieren können, auch wenn die Mikrowellenerhitzung beendet ist.
- Das Gerät nur für die in der Bedienungsanleitung beschriebenen Zwecke verwenden. Keine ätzenden Chemikalien oder Dämpfe in diesem Gerät verwenden. Dieses Gerät ist speziell zum Erhitzen konzipiert. Es ist nicht zum Verwenden in der Industrie oder im Labor geeignet.
- Dieses Gerät nicht im Freien lagern oder benutzen.
- Dieses Gerät nicht in der Nähe von Wasser, in einem feuchten Keller oder in der Nähe eines Schwimmbeckens verwenden.
- Die Temperatur der zugänglichen Oberflächen kann während des Betriebs hoch sein. Die Oberflächen werden während der Benutzung heiß. Halten Sie das Kabel von der Oberfläche fern und decken Sie die Lüftungsöffnungen der Mikrowelle nicht ab.

- Das Kabel nicht über die Kante eines Tisches oder einer Arbeitsplatte hängen.
- Wird das Gerät nicht sauber gehalten, kann die Oberfläche beschädigt werden, was sich negativ auf die Lebensdauer des Geräts auswirken und möglicherweise zu einer gefährlichen Situation führen kann.
- **Warnung:** Der Inhalt von Fläschchen mit Babynahrung muss vor dem Verzehr umgerührt oder geschüttelt und die Temperatur überprüft werden, um Verbrennungen zu vermeiden.
- **Warnung:** Das Erhitzen von Getränken in der Mikrowelle führt zu einem verzögerten Erreichen des Siedepunkts, daher ist beim Umgang mit dem Behälter Vorsicht geboten.
- Flüssigkeiten wie Wasser, Kaffee und Tee können über den Siedepunkt hinaus erhitzt werden, ohne dass es den Anschein hat, dass sie kochen.
- Vor der Reinigung oder Wartung schalten Sie das Gerät immer aus und trennen Sie es vom Stromnetz.
- Halten Sie alle Verpackungsteile von Kindern fern. Entsorgen Sie die Verpackung gemäß den Vorschriften der örtlichen Behörden.
- Aus Sicherheitsgründen muss ein beschädigtes Stromkabel von einem BUFFALO-Mitarbeiter oder empfohlenen qualifizierten Elektriker erneuert werden.
- Dieses Gerät sollte nur dann von Personen (einschließlich Kindern) mit reduzierten körperlichen, sensorischen oder geistigen Fähigkeiten, mangelnder Erfahrung oder Kenntnissen verwendet werden, wenn sie von einer für ihre Sicherheit verantwortlichen Person im Gebrauch des Geräts geschult wurden bzw. ständig beaufsichtigt werden.
- Kinder müssen beaufsichtigt werden, um sicherzustellen, dass sie nicht mit dem Gerät spielen.
- Verwenden Sie die Mikrowelle nicht, wenn sie leer ist.
- Die Mikrowelle darf nicht in einem Schrank aufgestellt werden, es sei denn, sie wurde in einem Schrank getestet.
- Dieses Gerät ist nicht für den Betrieb über einen externen Timer oder eine separate Fernbedienung vorgesehen.

- Reinigen Sie das Gerät nicht mit einem Strahl- oder Hochdruckreiniger.
- Buffalo empfiehlt, dass dieses Gerät regelmäßig (wenigstens jährlich) von einem Fachmann überprüft wird. Die Prüfung sollte unter anderem Folgendes beinhalten: Visuelle Inspektion, Polaritätstest, Erddurchgängigkeit, Isolierdurchgängigkeit und Funktionsprüfung.

Einführung

Bitte nehmen Sie sich einige Minuten Zeit und lesen Sie dieses Handbuch sorgfältig durch. Nur bei korrekter Wartung und vorschriftsgemäßem Betrieb kann Ihr BUFFALO-Produkt optimale Leistung erzielen.

Lieferumfang

Folgendes ist im Lieferumfang enthalten:

- Mikrowelle
- Bedienungsanleitung

BUFFALO ist stolz auf die hochwertige Qualität seiner Produkte und seinen erstklassigen Service. Wir stellen sicher, dass alle gelieferten Produkte zum Zeitpunkt der Verpackung voll funktionsfähig sind und sich in einwandfreiem Zustand befinden.

Sollten Sie Transportschäden feststellen, wenden Sie sich bitte unverzüglich an Ihren BUFFALO-Händler.

Montage

1. Entfernen Sie alle Verpackungsmaterialien. Stellen Sie sicher, dass alle Schutzfolien und Beschichtungen gründlich von allen Oberflächen entfernt werden.



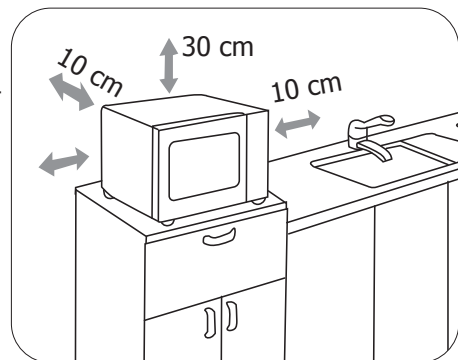
Warnung: Prüfen Sie, ob die folgenden Schäden aufgetreten sind:

- Falsch ausgerichtete oder verbogene Tür, beschädigte Türdichtungen/ Dichtflächen, gebrochene/lockere Türscharniere, Dellen im Inneren der Mikrowelle.
- Nehmen Sie die Mikrowelle NICHT in Betrieb, wenn ein Schaden festgestellt wird. Wenden Sie sich an einen BUFFALO-Vertreter oder einen qualifizierten Techniker.

2. Stellen Sie die Mikrowelle auf eine flache, stabile und hitzebeständige Oberfläche. Um eine ausreichende Belüftung zu gewährleisten, muss über dem Backofen ein Freiraum von mindestens 30 cm, an der Rückseite und an der rechten Seite 10 cm vorhanden sein. Die linke Seite muss offen sein.

Hinweis: Verdecken oder blockieren Sie keine Öffnungen des Geräts und entfernen Sie nicht die Füße.

3. Stellen Sie die Mikrowelle so weit wie möglich von Radios und Fernsehern entfernt auf, da der Betrieb des Geräts Störungen des Radio- oder Fernsehempfangs verursachen kann.

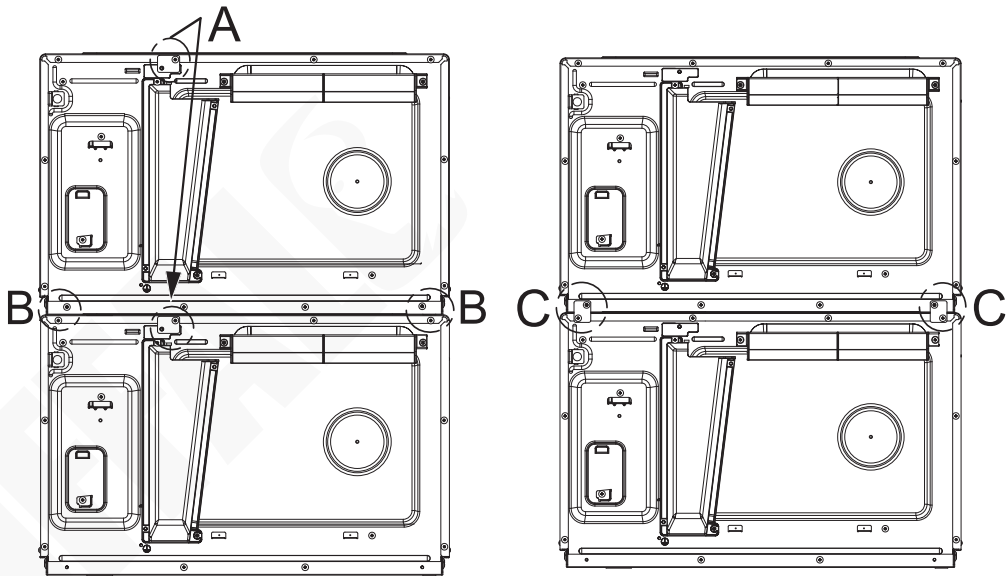


Stapeln des Geräts



Hinweis: Um Platz zu sparen, können maximal 2 Geräte gestapelt werden. Für Einzelheiten folgen Sie bitte den nachstehenden Anweisungen.

1. Lösen Sie die Schrauben, mit denen die Montageplatten befestigt sind. Entfernen Sie dann die Montageplatten und ziehen Sie die Schrauben wieder fest (Schritt A).
2. Entfernen Sie die 4 Schrauben wie in Schritt B gezeigt.
3. Die Montageplatten an den Verbindungsstellen der beiden Mikrowellen anbringen und dann mit den soeben entfernten Schrauben befestigen (Schritt C).



Geschirr

Siehe die Anweisungen in diesem Kapitel für Geschirr, das in der Mikrowelle verwendet bzw. vermieden werden sollte.

Im Zweifelsfall lesen Sie bitte in den Herstellerangaben nach, ob Ihr Geschirr mikrowellengeeignet ist.

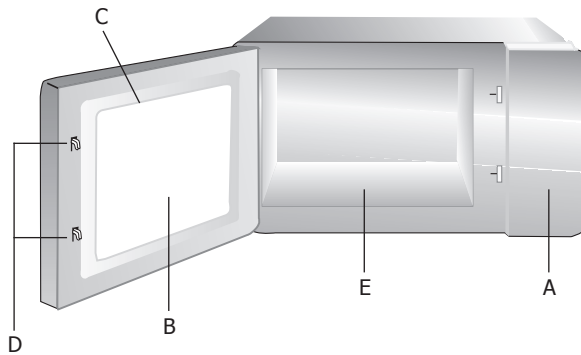
Mikrowellengeeignete Materialien

Geschirr (Nicht enthalten)	Bemerkungen
Bräunungsschale	Beachten Sie die Herstelleranweisungen. Der Boden der Bräunungsschale muss gleichmäßig auf das Keramikbrett gelegt werden. Bei unsachgemäßer Handhabung kann die Keramikplatte brechen.
Essgeschirr	Nur das mikrowellengeeignet. Beachten Sie die Herstelleranweisungen. Verwenden Sie kein zerbrochenes oder gesprungenes Geschirr.
Glasbehälter	Deckel immer abnehmen. Nur zum Erhitzen von Speisen verwenden, bis sie gerade warm sind. Die meisten Glasbehälter sind nicht hitzebeständig und können brechen.
Glaswaren	Nur hitzebeständige Mikrowellengläser. Achten Sie darauf, dass keine metallischen Verzierungen vorhanden sind. Verwenden Sie kein zerbrochenes oder gesprungenes Geschirr.
Mikrowellen-Kochbeutel	Beachten Sie die Herstelleranweisungen. Nicht mit Metallbändern verschließen. Schlitzte einschneiden, damit der Dampf entweichen kann.
Pappteller und -becher	Nur zum kurzfristigen Garen/Aufwärmen verwenden. Lassen Sie die Mikrowelle während des Garens nicht unbeaufsichtigt.
Papierhandtücher	Zum Abdecken von Speisen zum Aufwärmen und Fett-Aufsaugen. Nur unter Aufsicht zum kurzfristigen Kochen verwenden.
Pergamentpapier	Verwendung als Abdeckung, um Spritzer zu vermeiden, oder als Hülle zum Dämpfen.
Kunststoff	Nur das mikrowellengeeignet. Befolgen Sie die Herstelleranweisungen. Sie sollten mit „Mikrowellengeeignet“ gekennzeichnet sein. Einige Kunststoffbehälter werden weich, wenn die Lebensmittel darin heiß werden. „Kochbeutel“ und fest verschlossene Plastikbeutel sollten entsprechend den Anweisungen auf der Verpackung aufgeschlitzt, durchstochen oder entlüftet werden.
Plastikfolie	Nur das mikrowellengeeignet. Verwenden zum Abdecken von Lebensmitteln während des Kochens, um die Feuchtigkeit zu bewahren. Frischhaltefolie darf die Lebensmittel nicht berühren.
Thermometer	Nur die Mikrowellengeeigneten (Fleisch- und Süßigkeitenthermometer)
Wachspapier	Verwenden zum Abdecken, um Spritzer zu vermeiden und Feuchtigkeit zu bewahren.

Nicht mikrowellengeeignete Materialien

Geschirr (Nicht enthalten)	Bemerkungen
Aluminiumschale	Kann zur Funkenbildung führen. Speisen in eine mikrowellengeeignete Schale umfüllen.
Lebensmittelkarton mit Metallgriff	Kann zur Funkenbildung führen. Speisen in eine mikrowellengeeignete Schale umfüllen.
Geschirr aus Metall oder mit Metallbesatz	Metall schirmt die Lebensmittel vor der Mikrowellenenergie ab. Metallbeschläge können Funken verursachen.
Metalldrehverschlüsse	Kann zur Funkenbildung führen und einen Brand in der Mikrowelle verursachen
Papiertüten	Kann einen Brand in der Mikrowelle verursachen.
Kunststoffschaum	Kunststoffschaum kann bei hohen Temperaturen schmelzen oder die Flüssigkeit im Inneren verunreinigen.
Holz	Holz kann in der Mikrowelle austrocknen und spalten oder reißen.

Ihr Gerät kennenlernen

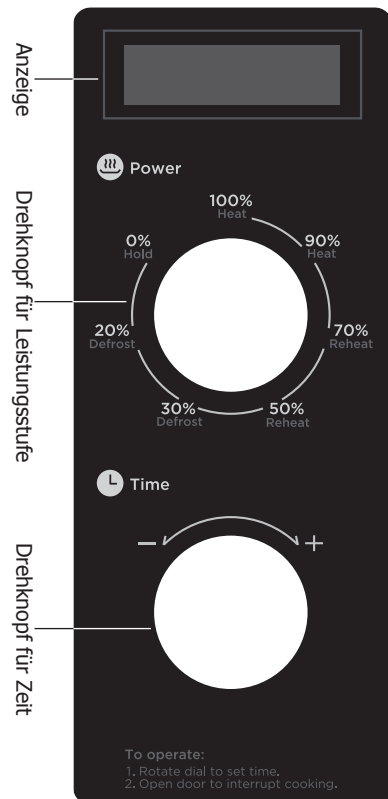


- A) Bedienfeld
 B) Sichtfenster
 C) Türvorrichtung
 D) Sicherheitsverriegelungssystem
 E) Keramikplatte

Hinweis:

1. NICHT gewaltsam auf die Keramikplatte drücken.
2. Geschirrtteile behutsam nehmen und ablegen, um die Keramikplatte nicht zu beschädigen.
3. Nach dem Gebrauch die Keramikplatte NICHT mit der Hand berühren, um Verbrühungen durch hohe Temperaturen zu vermeiden.

A) Bedienfeld:



Bedienung



Hinweis: Vor dem ersten Gebrauch die Innenflächen sauber wischen und gut trocknen lassen.

Ruhemodus

1. Schließen Sie das Gerät an das Stromnetz an. Die Anzeige zeigt „-----“.
2. Wenn die Anzeige leer ist, schaltet das Gerät in den Ruhemodus.
3. Im Ruhemodus kann kein Drehknopf gedreht werden.

Bereitschaftsmodus

1. Im Ruhezustand die Tür öffnen und dann schließen, um in den Bereitschaftsmodus zu gelangen.
2. Im Bereitschaftsmodus wird „READY“ angezeigt.

Garen beginnen

1. Im Bereitschaftsmodus den Leistungsdrehknopf auf die gewünschte Leistungsstufe stellen.

Leistung	100%	90%	70%	50%	30%	20%	0%
Anzeige	100	90	70	50	30	20	0

2. Wählen Sie die Garzeit mit dem Zeitregler (Maximalzeit: 60 Minuten). Nach etwa 2 Sekunden startet das Gerät automatisch.
3. Nach Ablauf der Garzeit gibt das Gerät einen Signalton ab und zeigt „DONE“ an.
4. Kurz darauf erscheint auf der Anzeige „READY“, um anzuzeigen, dass die Mikrowelle wieder im Bereitschaftsmodus ist.
5. Das Gebläse läuft noch 1 Min. lang weiter, um das Gerät abzukühlen, und schaltet dann automatisch ab. Die Mikrowelle befindet sich jetzt wieder im „Ruhemodus“.



Hinweis: Während des Garvorgangs können die Leistungsstufe und die Garzeit jederzeit angepasst werden.



Hinweis: Wird die Tür während des Garvorgangs geöffnet, erlischt die Anzeige und der Garvorgang wird abgebrochen.

Reinigung, Pflege und Wartung



- **Schalten Sie das Gerät aus und trennen Sie die Stromversorgung, bevor Sie Reinigungsarbeiten vornehmen.**
- **Den Garraum immer sauber halten!**
- **Bei Verschmutzung den Türrahmen, die Dichtung und die angrenzenden Teile vorsichtig mit einem feuchten Tuch reinigen.**

Reinigen der Tür und der Vorderseite des Garraums

- Um beste Leistung und hohe Sicherheit zu gewährleisten, sollten die Türinnenverkleidung und die Vorderseite des Garraums frei von Lebensmittel- oder Fettablagerungen sein.
- Diese Teile mit einem milden Reinigungsmittel abwischen, abspülen und trocken wischen. Niemals Scheuerpulver oder -pads verwenden.

Reinigen des Bedienfelds und der Kunststoffteile

- Das Bedienfeld und die Kunststoffteile dürfen nicht mit einem Reinigungsmittel oder einer alkalischen Flüssigkeit besprüht werden, da diese Teile dadurch beschädigt werden können.
- Zum Reinigen dieser Teile ein trockenes Tuch (kein getränktes Tuch) verwenden.
- Darauf achten, dass das Bedienfeld nicht nass wird.

Reinigen des Innenraums

- Nach dem Gebrauch verschüttete Flüssigkeiten, Ölspritzer und Speisereste so schnell wie möglich entfernen.
- Wenn die Mikrowelle in verschmutztem Zustand benutzt wird, sinkt der Wirkungsgrad und der Schmutz setzt sich auf der Oberfläche des Innenraums fest. Dies kann zu unangenehmen Gerüchen führen. Reinigen Sie den Innenraum mit einem Tuch, das Sie in lauwarmes Wasser mit einem milden Reinigungsmittel getaucht haben, und wischen Sie die Seifenreste anschließend mit einem feuchten Tuch ab.

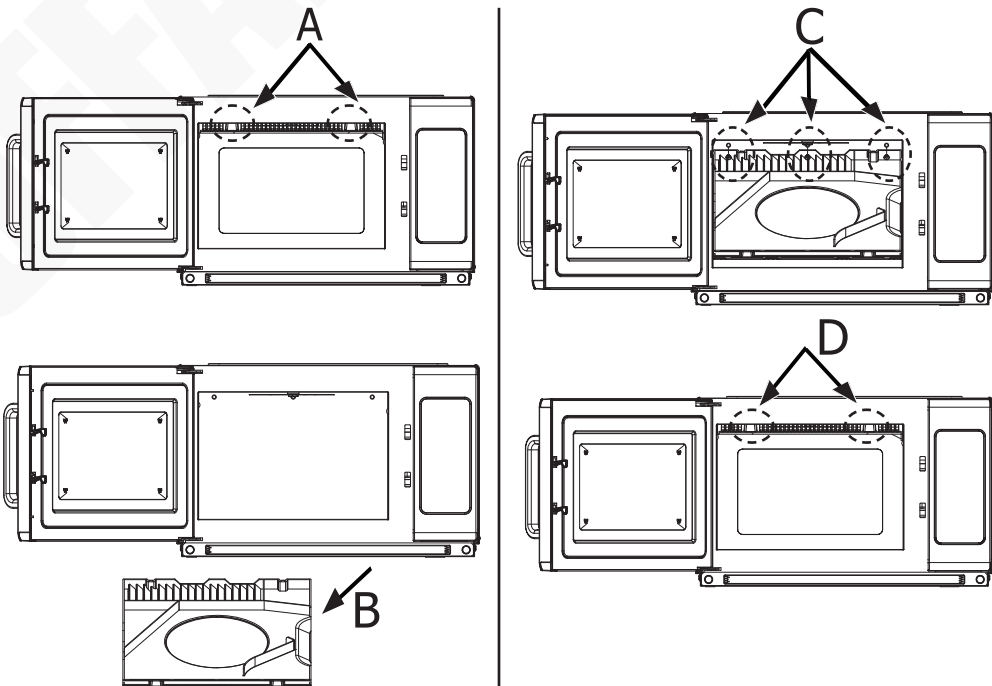


Entfernen Sie etwaige Gerüche im Garraum, indem Sie eine Tasse Wasser mit dem Saft einer Zitrone für 5 Minuten in die Mikrowelle stellen. Wischen Sie die Mikrowelle mit einem weichen, trockenen Tuch sauber.

Reinigen des Ölblechs

Die Mikrowelle ist mit einem herausnehmbarem Ölblech ausgestattet, der eine einfache und gründliche Reinigung ermöglicht. Das Ablenblech befindet sich unter der Innendecke der Mikrowelle.

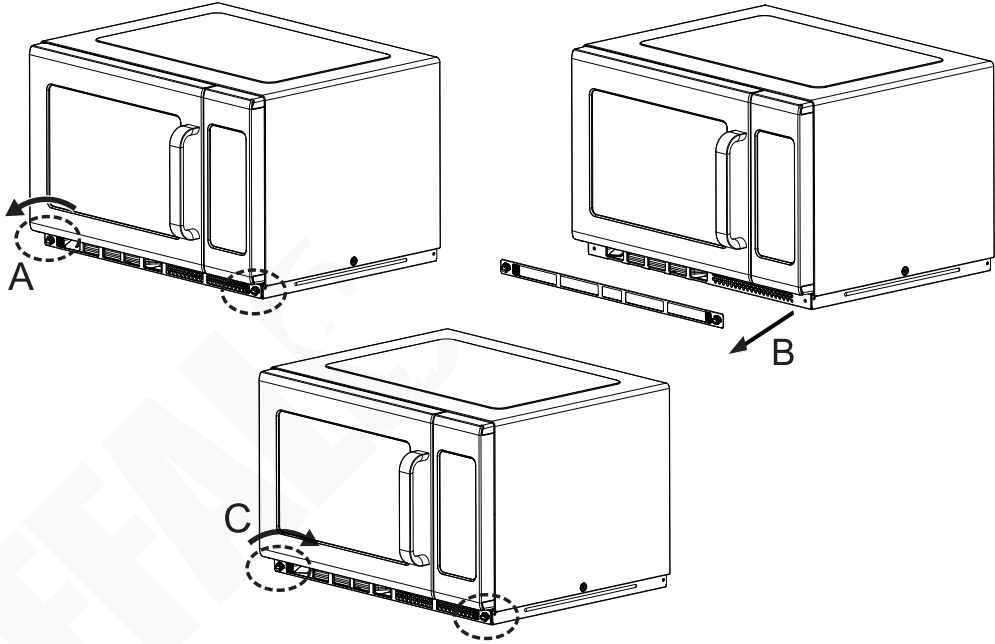
- Um das Ablenblech zu entfernen, drücken und halten Sie die 2 Vertiefungen an der Vorderseite des Ablenblechs (Schritt A). Schieben Sie währenddessen das gesamte Ablenblech nach hinten, um es zu lösen. Nehmen Sie dann das Ablenblech aus der Mikrowelle (Schritt B).
- Reinigen Sie das Ablenblech mit einem milden Reinigungsmittel, spülen Sie es ab und wischen Sie es trocken.
- Zum Einsetzen das Ablenblech festhalten und die 3 Stifte auf der Rückseite in die Löcher an der Mikrowellenrückwand einsetzen (Schritt C).
- Drücken Sie die rechte Kerbe nach hinten, bis der rechte Teil des Ablenblechs in Position gebracht ist. Wiederholen Sie den gleichen Vorgang, um den linken Teil in Position zu bringen (Schritt D).



Reinigen des Filters

Die Mikrowelle ist mit einem abnehmbaren Filter ausgestattet, der leicht und gründlich zu reinigen ist.

- Befestigungsnägel lösen (Schritt A), dann Filter herausnehmen (Schritt B).
- Filter mit einer weichen Bürste reinigen.
- Filter wieder einsetzen und mit den Nägeln befestigen (Schritt C).



Störungssuche

Falls erforderlich, muss ein qualifizierter Techniker Reparaturen durchführen.

Störung	Vermutliche Ursache	Lösung
Das Gerät läuft nicht	Das Gerät ist nicht eingeschaltet	Prüfen, ob der Netzstecker in die Steckdose gesteckt wurde und das Gerät eingeschaltet ist
	Stecker und Kabel sind beschädigt	Stecker oder Leitung ersetzen
	Fehler Netzstromversorgung	Prüfen Sie die Netzstromversorgung
	Tür ist nicht richtig geschlossen	Tür sicher schließen
Lichtbogenbildung/ Funkenbildung	Metallteile oder anderes, nicht mikrowellengeeignetes Material wird verwendet	Metallobjekte entfernen. Nur mikrowellengeeignete Utensilien verwenden
	Verschüttete Lebensmittel bleiben in der Mikrowelle	Reinigen Sie das Innere der Mikrowelle
	Die Mikrowelle wird im leeren Zustand betrieben	Verwenden Sie die Mikrowelle nicht, wenn sie leer ist. Dies ist sehr gefährlich
Die Mikrowelle stört den Fernsehempfang	Der Radio- und Fernsehempfang wird gestört, wenn das Gerät in Betrieb ist	Das ist normal
Dampfansammlung an der Tür und heiße Luft aus den Lüftungsöffnungen	Beim Kochen kann Dampf aus den Speisen austreten. Der meiste Dampf entweicht aus den Lüftungsöffnungen, aber ein Teil kann sich an kühlen Stellen wie der Tür ansammeln	Das ist normal
Innenbeleuchtung dimmt	Beim Garen in einer Mikrowelle mit kleiner Leistung kann die Innenbeleuchtung schwächer werden	Das ist normal

Technische Spezifikationen

Hinweis: Aufgrund unseres kontinuierlichen Forschungs- und Entwicklungsprogramms können sich die hier aufgeführten Spezifikationen ohne vorherige Ankündigung ändern.

Modell	Spannung	Leistung	Mikrowellenleistung	Fassungsvermögen der Mikrowelle	Betriebsfrequenz	Abmessungen H x B x T (mm)	Gewicht (kg)
FB863	230 - 240 V ~ 50 Hz	3000 W	1800 W	34 l	2450 MHz	368 x 574 x 528	33,3
FE141-E	230 ~ 50Hz						

Elektroanschlüsse

Der Stecker muss in eine geeignete Steckdose gesteckt werden.

Das Gerät ist wie folgt verdrahtet:

- Stromführender Leiter (braun) an Klemme L
- Neutralleiter (blau) an Klemme N
- Erdleiter (grün/gelb) an Klemme E



Dieses Gerät muss geerdet sein.

Bei Fragen wenden Sie sich bitte an einen qualifizierten Elektriker.

Elektroisolierpunkte dürfen nicht blockiert werden. Bei einem Notstopp müssen diese Punkte jederzeit sofort zugänglich sein.

Konformität

Das WEEE-Logo an diesem Produkt oder in der Dokumentation weist darauf hin, dass das Produkt nicht mit dem normalen Hausmüll entsorgt werden darf. Um potenziellen Gesundheits- bzw. Umweltschäden vorzubeugen, muss das Produkt durch einen zugelassenen und umweltverträglichen Recyclingprozess entsorgt werden. Ausführliche Informationen zur korrekten Entsorgung dieses Produkts erhalten Sie von Ihrem Produktlieferanten oder der für die Müllentsorgung in Ihrer Region zuständige Behörde.



Alle BUFFALO-Produkte werden strengen Tests unterzogen, um die Einhaltung von Normen und Spezifikationen internationaler und nationaler Behörden und unabhängiger Organisationen zu gewährleisten.

BUFFALO-Produkte sind für die Verwendung des folgenden Symbols zugelassen:



Alle Rechte vorbehalten. Diese Anleitung darf ohne vorherige schriftliche Genehmigung von BUFFALO weder ganz noch teilweise in irgendeiner Form oder auf irgendeinem Wege - einschließlich elektronischer, mechanischer Verfahren, durch Fotokopieren, Aufnahme oder andere Verfahren - vervielfältigt oder übertragen werden.

Es werden alle Anstrengungen unternommen um sicherzustellen, dass alle Angaben bei der Drucklegung korrekt sind. BUFFALO behält sich jedoch das Recht vor, Spezifikationen ohne Vorankündigung zu ändern.

Suggerimenti per la sicurezza

Per ridurre il rischio di incendi, scosse elettriche, lesioni personali o esposizione eccessiva alle microonde durante l'utilizzo dell'apparecchio, rispettare le precauzioni di base, incluse le seguenti:



PRECAUZIONI PER EVITARE POSSIBILI ESPOSIZIONI ALL'ENERGIA DELLE MICROONDE

Non tentare di azionare questo forno con lo sportello aperto poiché potrebbe comportare un'esposizione dannosa all'energia delle microonde. È importante non rompere o manomettere gli interblocchi di sicurezza.

Non posizionare alcun oggetto tra la parte anteriore del forno e lo sportello e non lasciare che sporco o residui di detergente si accumulino sulle superfici di tenuta.

Avvertenza: Se lo sportello o le guarnizioni dello sportello sono danneggiate, il forno non deve essere azionato finché non viene riparato da una persona competente.

- Posizionare su una superficie piana e stabile.
- L'installazione e le eventuali riparazioni devono venire eseguite da un agente/tecnico qualificato. Non rimuovere alcun componente da questo prodotto.
- Verificare la conformità alle normative locali e nazionali di quanto segue:
 - Normativa antinfortunistica sul lavoro
 - Linee guida BS EN
 - Precauzioni antincendio
 - Normativa IEE sui circuiti elettrici
 - Norme di installazione
- **Avvertenza:** Liquidi e altri alimenti non devono essere riscaldati in contenitori sigillati poiché potrebbero esplodere.

- **Avvertenza:** È pericoloso per chiunque non sia una competente eseguire qualsiasi operazione di assistenza o riparazione che comporti la rimozione di una copertura di protezione contro l'esposizione all'energia delle microonde.
- Utilizzare solo utensili idonei all'uso nei forni a microonde.
- Il forno deve essere pulito con regolarità: eventuali depositi di cibo devono essere rimossi.
- Quando si riscaldano cibi in contenitori di plastica o di carta, tenere sotto controllo il forno in quanto potrebbero verificarsi accensioni.
- In caso di presenza di fumo, spegnere o scollegare l'apparecchio dalla presa di corrente e tenere lo sportello chiuso per soffocare eventuali fiamme.
- Non cuocere troppo il cibo.
- Non utilizzare la cavità del forno per la conservazione. Non conservare oggetti, come pane, biscotti, eccetera all'interno del forno.
- Rimuovere le fascette e i manici metallici dai contenitori/ sacchetti di carta o plastica prima di inserirli nel forno.
- Installare o posizionare questo forno rispettando le istruzioni di installazione fornite.
- Le uova con guscio e le uova sode intere non devono essere riscaldate nei forni a microonde poiché potrebbero esplodere, anche una volta terminato il riscaldamento.
- Utilizzare l'apparecchio solo per l'uso previsto descritto nel manuale. Non utilizzare prodotti chimici o vapori corrosivi in questo apparecchio. Questo forno è stato appositamente progettato per riscaldare. Non è progettato per uso industriale o di laboratorio.
- Non conservare o utilizzare questo apparecchio all'aperto.
- Non utilizzare questo forno vicino all'acqua, in un locale umido o in prossimità di una piscina.
- La temperatura delle superfici accessibili può essere elevata quando l'apparecchio è in funzione. Le superfici possono surriscaldarsi durante l'uso. Tenere il cavo lontano dalla superficie riscaldata e non coprire le prese d'aria del forno.

- Non lasciare che il cavo penda dal bordo del piano di appoggio.
- Una scarsa pulizia del forno potrebbe causare il deterioramento della superficie e pertanto influire negativamente sulla durata dell'apparecchio, nonché essere fonte di situazioni di pericolo.
- **Avvertenza:** Il contenuto di biberon e vasetti di omogeneizzati deve essere mescolato o agitato e la temperatura deve essere controllata prima del consumo al fine di evitare ustioni.
- **Avvertenza:** Il riscaldamento a microonde delle bevande comporta un'ebollizione ritardata, pertanto è necessario prestare attenzione quando si maneggiano i contenitori.
- Liquidi come acqua, caffè e tè possono surriscaldarsi oltre il punto di ebollizione senza dare l'impressione di bollire.
- Spegnere e scollegare sempre l'alimentazione dell'unità prima della pulizia o della manutenzione.
- Tenere lontano l'imballaggio dalla portata dei bambini. Smaltire l'imballaggio in conformità alle normative locali.
- Se danneggiato, il cavo di alimentazione deve venire sostituito da un agente BUFFALO o da un tecnico qualificato al fine di prevenire eventuali rischi.
- L'apparecchio non è destinato a essere utilizzato da persone (inclusi i bambini) con ridotte capacità fisiche, sensoriali o mentali, o prive della necessaria esperienza e conoscenza dell'apparecchio, che non abbiano ricevuto supervisione o istruzioni relative all'utilizzo dell'apparecchio dalle persone responsabili della loro sicurezza.
- I bambini devono essere sorvegliati onde evitare che giochino con l'apparecchio.
- Non azionare il forno a vuoto.
- Il forno a microonde non deve essere collocato all'interno di un armadio, a meno che non sia stato testato per questo.
- L'apparecchio non è progettato per essere utilizzato mediante un timer esterno o un sistema di controllo remoto separato.

- Non utilizzare idropulitrici a getto o a pressione per pulire l'apparecchio.
- Buffalo raccomanda che questo apparecchio venga periodicamente testato (almeno una volta all'anno) da una persona competente. I test devono comprendere, tra gli altri: ispezione visiva, test di polarità, continuità della messa a terra, continuità dell'isolamento e test funzionale.

Introduzione

Leggere con attenzione il presente manuale. La manutenzione e l'utilizzo corretti di questo apparecchio consentiranno di ottenere le massime prestazioni da questo prodotto BUFFALO.

Contenuto dell'imballaggio

Sono inclusi i seguenti componenti:

- Forno a microonde
- Manuale di istruzioni

BUFFALO garantisce una qualità e un servizio impeccabili e assicura che al momento dell'imballaggio tutti i componenti forniti sono perfettamente funzionanti e privi di difetti.

Nel caso siano rilevati danni risultanti dal trasporto del prodotto, rivolgersi immediatamente al rivenditore BUFFALO locale.

Installazione

1. Rimuovere tutti i materiali di imballaggio. Assicurarsi che tutte le pellicole e i rivestimenti protettivi in plastica siano stati completamente rimossi da tutte le superfici.



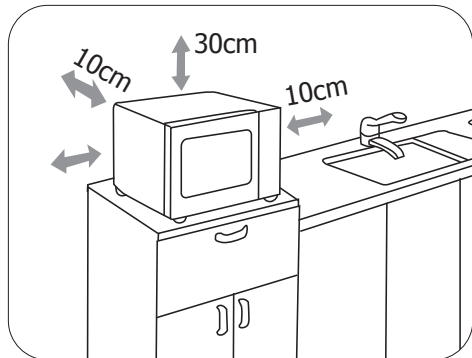
Avvertenza: Verificare l'assenza dei seguenti danni:

- Sportello disallineato o piegato, guarnizioni/superfici di tenuta dello sportello danneggiate, cerniere dello sportello rotte/allentate, ammaccature all'interno del forno.
- **NON** azionare il forno se si riscontrano danni. Contattare l'agente BUFFALO o un tecnico qualificato.

2. Posizionare il forno su una superficie piana, stabile e resistente al calore. Per una ventilazione sufficiente, lasciare uno spazio minimo di 30 cm sopra il forno, 10 cm sul retro e sul lato destro. Il lato sinistro deve essere aperto.

Nota: Non coprire o bloccare le aperture sull'apparecchio, né rimuovere i piedini.

3. Posizionare il forno il più lontano possibile da radio e TV poiché il funzionamento dell'apparecchio può causare interferenze alla ricezione radio o televisiva.

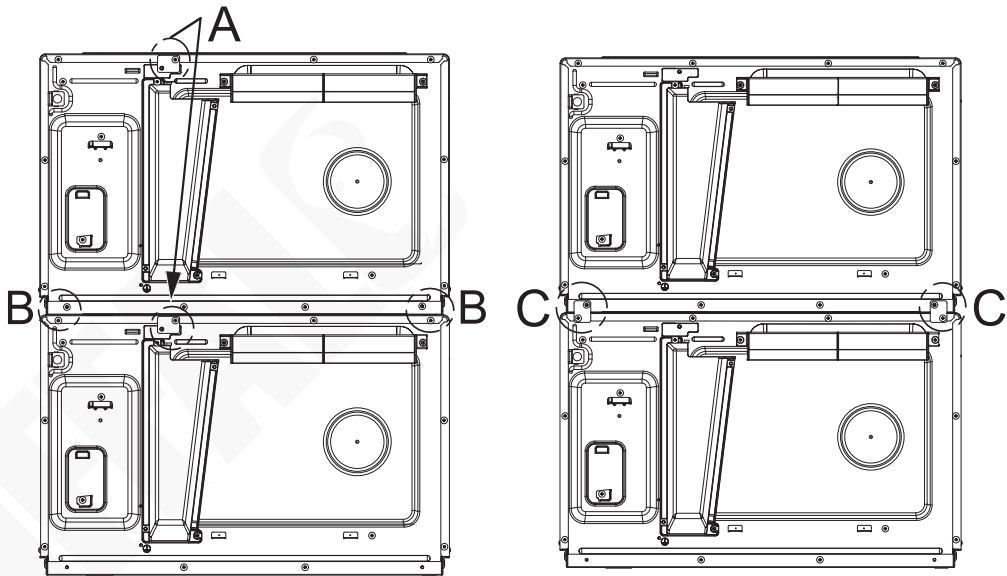


Impilaggio dell'apparecchio



Nota: Per risparmiare spazio, è possibile impilare un massimo di 2 apparecchi. Per i dettagli, attenersi alle istruzioni riportate di seguito.

1. Allentare le viti che fissano le piastre di montaggio. Rimuovere quindi le piastre di montaggio e serrare nuovamente le viti in posizione (Passaggio A).
2. Rimuovere le 4 viti come mostrato nel Passaggio B.
3. Posizionare le piastre di montaggio sulle parti combacianti dei 2 forni, quindi fissarle con le viti appena rimosse (Passaggio C).



Utensili

Vedere le istruzioni in questo capitolo per gli utensili da utilizzare/evitare con il microonde.

In caso di dubbi, controllare le istruzioni del produttore in relazione all'idoneità dell'utensile.

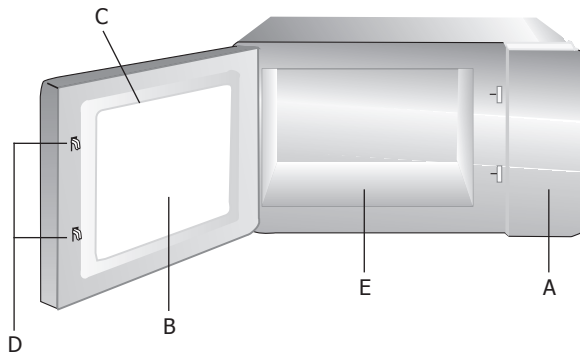
Materiali utilizzabili nel forno a microonde

Utensili (Non inclusi)	Osservazioni
Piatto di doratura	Seguire le istruzioni del produttore. Il fondo del piatto di doratura deve essere posizionato omogeneamente sulla piastra in ceramica. L'uso scorretto potrebbe comportare la rottura della piastra in ceramica.
Stoviglie	Solo per microonde. Seguire le istruzioni del produttore. Non utilizzare piatti crepati o scheggiati.
Barattoli in vetro	Rimuovere sempre il coperchio. Utilizzare per riscaldare il cibo solo fino a quando diventa tiepido. La maggior parte dei barattoli in vetro non è resistente al calore e potrebbe rompersi.
Cristalleria	Solo bicchieri da forno resistenti al calore. Assicurarsi che non ci siano finiture metalliche. Non utilizzare piatti crepati o scheggiati.
Sacchetti di cottura al forno	Seguire le istruzioni del produttore. Non chiudere con fascette metalliche. Praticare delle fessure per consentire la fuoriuscita del vapore.
Piatti e bicchieri di carta	Utilizzare solo per cottura/riscaldamento a breve termine. Non lasciare il forno incustodito durante la cottura.
Tovaglioli di carta	Utilizzare per coprire il cibo in fase di riscaldamento e per assorbire il grasso. Utilizzare con supervisione solo per una cottura breve.
Carta da forno	Utilizzare come copertura per evitare schizzi o come involucri per la cottura a vapore.
Plastica	Solo per microonde. Seguire le istruzioni del produttore. Dovrebbe essere etichettata con la dicitura "Per microonde". Alcuni contenitori di plastica si ammorbidiscono poiché il cibo all'interno diventa caldo. I "sacchetti per bollitura" e i sacchetti di plastica sigillati devono essere tagliati, forati o forati come indicato sulla confezione.
Involucri di plastica	Solo per microonde. Utilizzare per coprire il cibo durante la cottura per trattenere l'umidità. Non permettere che l'involucro di plastica tocchi il cibo.
Termometri	Solo per microonde (termometri per carne e dolci)
Carta cerata	Utilizzare come copertura per evitare schizzi e per trattenere l'umidità

Materiali da evitare nel forno a microonde

Utensili (Non inclusi)	Osservazioni
Vassoi di alluminio	Possono innescare archi elettrici. Trasferire il cibo in un piatto adatto al microonde
Scatole di cartone per alimenti con manico in metallo	Possono innescare archi elettrici. Trasferire il cibo in un piatto adatto al microonde
Utensili in metallo o con rifiniture in metallo	Il metallo protegge il cibo dall'energia delle microonde. Le finiture in metallo possono innescare archi elettrici
Fascette intrecciate in metallo	Possono innescare archi elettrici e potrebbero causare incendi nel forno
Sacchetti di carta	Possono innescare incendi nel forno
Schiume plastiche	Le schiume plastiche possono fondere o contaminare i liquidi all'interno se esposte a temperature elevate
Legno	Se utilizzato nel forno a microonde, il legno si asciuga e potrebbe rompersi o creparsi

Conoscere il proprio elettrodomestico

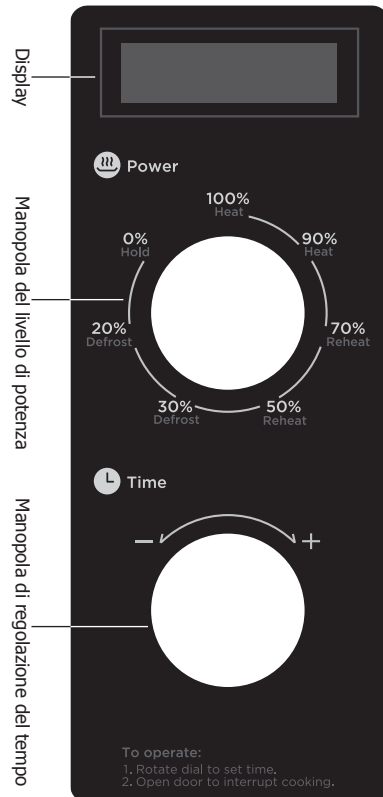


- A) Pannello di controllo
 B) Finestra di osservazione
 C) Gruppo sportello
 D) Sistema di interblocco di sicurezza
 E) Piastra in ceramica

Nota:

1. NON premere con forza sulla piastra in ceramica.
2. Appoggiare delicatamente gli utensili per evitare di danneggiare la piastra in ceramica.
3. Dopo l'uso, NON toccare la piastra in ceramica con le mani per evitare scottature dovute all'alta temperatura.

A) Pannello di controllo:



Funzionamento



Nota: Prima del primo utilizzo, pulire le superfici interne e lasciarle asciugare totalmente.

Modalità Inattivo

1. Collegare il dispositivo alla rete elettrica. Sul display si visualizzerà "-----".
2. Quando il display si spegne, l'apparecchio entra in modalità Inattivo.
3. In modalità Inattivo, non è possibile ruotare la manopola.

Modalità Pronto

1. In modalità Inattivo, aprire e quindi chiudere lo sportello per accedere alla modalità Pronto.
2. In modalità Pronto, viene visualizzato "READY".

Iniziare a cucinare

1. In modalità Pronto, ruotare la manopola del livello di potenza sul livello di potenza desiderato.

Alimentazio	100%	90%	70%	50%	30%	20%	0%
Display	100	90	70	50	30	20	0

2. Selezionare il tempo di cottura utilizzando la manopola del tempo (Tempo massimo: 60 minuti). Dopo circa 2 secondi, l'apparecchio si avvierà in automatico.
3. Trascorso il tempo di cottura, l'apparecchio emette un segnale acustico e viene visualizzato "DONE".
4. Presto il display cambierà per visualizzare "READY", indicando che il forno è di nuovo in modalità Pronto.
5. La ventola continuerà a funzionare per 1 minuto per raffreddare l'apparecchio, quindi si fermerà automaticamente. Il forno è ora nuovamente in "modalità Inattivo".



Nota: Durante la cottura, è possibile regolare il livello di potenza e il tempo di cottura in qualsiasi momento.



Nota: Durante la cottura, se si apre lo sportello, il display si spegne e il processo di cottura viene annullato.

Pulizia e manutenzione



- **Spegnere l'apparecchio e scollegarlo dalla corrente prima di pulirlo.**
- **Tenere sempre pulito il forno!**
- **Pulire accuratamente il telaio dello sportello, la guarnizione e le parti adiacenti con un panno umido.**

Pulizia dello sportello e della parte anteriore del forno

- Per ottenere le migliori prestazioni e per mantenere un elevato grado di sicurezza, il pannello interno dello sportello e la parte anteriore del forno devono essere privi di cibo o accumuli di grasso.
- Pulire queste parti con un detergente delicato, risciacquare e asciugare. Non utilizzare mai polveri o spugne abrasive.

Pulizia del pannello di controllo e delle parti in plastica

- Non applicare detersivi o spray liquidi alcalini sul pannello di controllo e sulle parti in plastica poiché potrebbero provocare dei danni.
- Utilizzare un panno asciutto (non imbevuto) per pulire queste parti.
- Evitare che il pannello di controllo si bagni.

Pulizia dell'interno del forno

- Dopo l'uso, assicurarsi di rimuovere versamenti di liquidi, schizzi di olio e residui di cibo il più rapidamente possibile.
- Se il forno viene utilizzato quando è sporco, la sua efficienza sarà ridotta e lo sporco si attaccherà alla superficie del forno. Ciò può causare cattivi odori. Pulire l'interno con un panno imbevuto di acqua tiepida con un detergente delicato disciolto, quindi risciacquare il sapone con un panno umido.

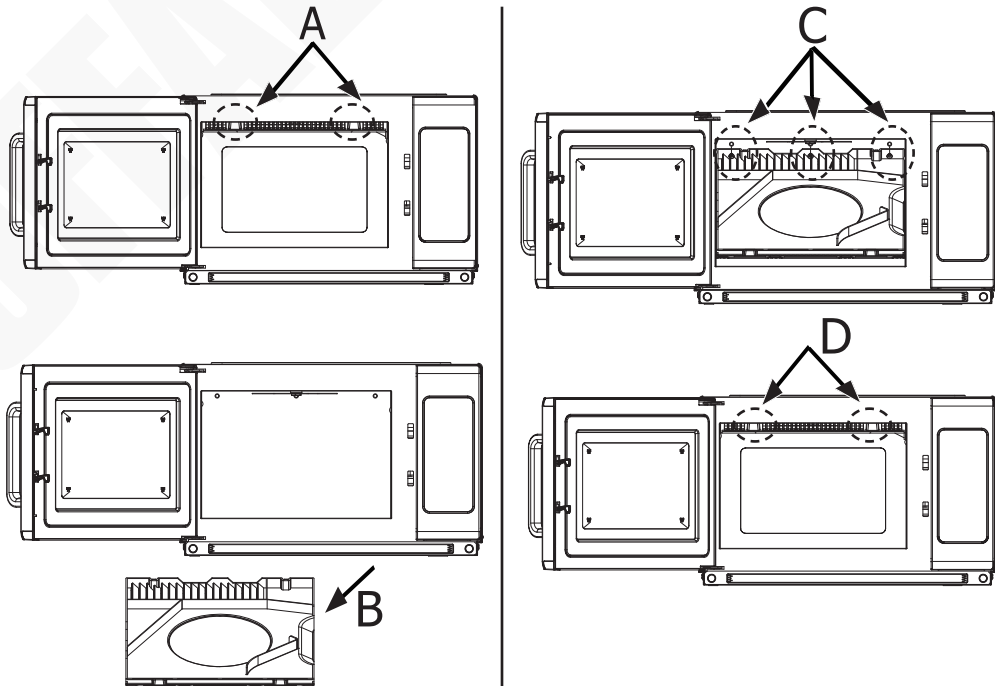


Per rimuovere eventuali odori all'interno del forno è sufficiente cuocere nel microonde una tazza d'acqua con il succo di 1 limone per 5 minuti. Pulire il forno con un panno morbido e asciutto.

Pulizia del deflettore dell'olio

Il forno è dotato di un deflettore dell'olio rimovibile per una pulizia facile e accurata. Il deflettore si trova sotto la parete superiore interna del forno.

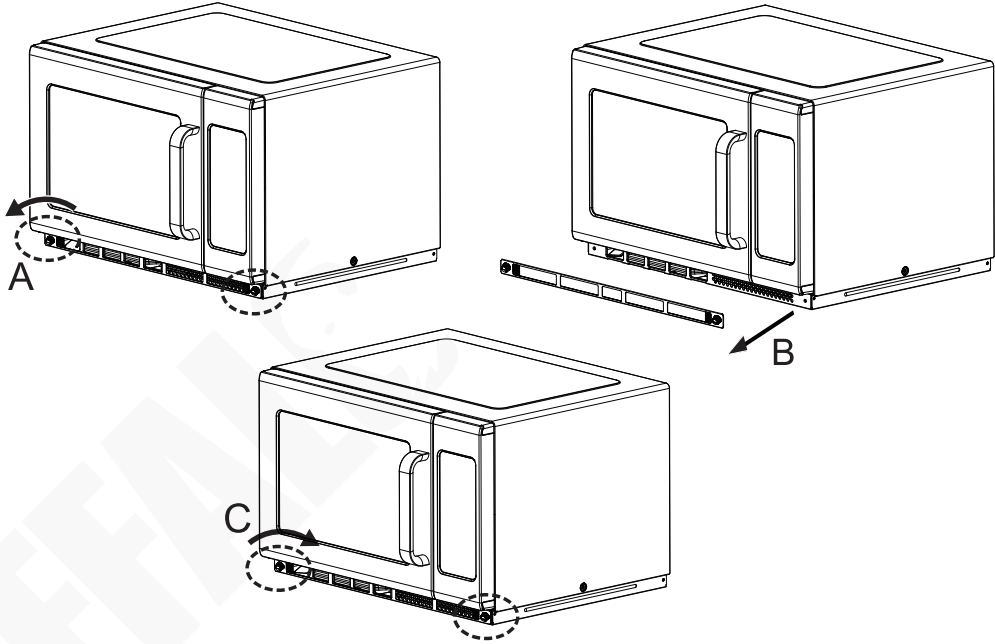
- Per rimuovere il deflettore, tenere premuti i 2 ganci sulla parte anteriore del deflettore (Passaggio A). Nel frattempo, spingere indietro l'intero deflettore per sganciarlo. Successivamente, rimuovere il deflettore dal forno (Passaggio B).
- Pulire il deflettore con un detergente delicato, risciacquare e asciugare.
- Per installare il deflettore, tenere il deflettore e inserire i 3 perni sul retro nei fori sulla parete posteriore del forno (Passaggio C).
- Premere il gancio destro all'indietro finché la parte destra del deflettore non si serra. Ripetere la stessa operazione per fissare la parte sinistra in posizione (Passaggio D).



Pulizia del filtro

Il forno è dotato di un filtro rimovibile per una pulizia facile e accurata.

- Allentare i chiodi di fissaggio (Passaggio A), quindi rimuovere il filtro (Passaggio B).
- Pulire il filtro con una spazzola morbida.
- Collocare il filtro in posizione e fissarlo con i chiodi (Passaggio C).



Risoluzione dei problemi

Se necessario, contattare un tecnico qualificato per le eventuali riparazioni.

Guasto	Probabile causa	Azione
L'unità non funziona	L'apparecchio non è acceso	Controllare che l'apparecchio sia correttamente collegato e acceso
	La presa e il cavo sono danneggiati	Sostituire la spina o il cavo
	Guasto alimentazione di rete	Controllare l'alimentazione di rete
	Lo sportello non è chiuso correttamente	Chiudere bene lo sportello
Arco elettrico/ scintillio	Sono stati utilizzati materiali metallici o non appropriati	Rimuovere gli oggetti in metallo. Utilizzare solo utensili idonei per forni a microonde
	Il cibo che si versa rimane all'interno del forno	Pulire l'interno del forno
	Il forno è azionato vuoto	Non azionare il forno a vuoto. È molto pericoloso
Il forno a microonde interferisce con la ricezione TV	La ricezione di radio e TV viene disturbata quando l'apparecchio è in funzione	Questo è normale
Accumulo di vapore sullo sportello e aria calda espulsa dalle prese d'aria	Durante la cottura può fuoriuscire vapore dal cibo. La maggior parte verrà convogliata all'esterno dalle prese d'aria, ma potrebbe verificarsi una condensa nei punti più freddi, come lo sportello del forno	Questo è normale
Luce del forno fioca	Durante la cottura a microonde a bassa potenza, la luce del forno potrebbe diventare fioca	Questo è normale

Specifiche tecniche

Nota: a causa del nostro continuo programma di ricerca e sviluppo, le specifiche qui riportate possono essere soggette a modifiche senza preavviso.

Modello	Tensione	Alimentazio	Uscita microonde	Capacità del forno	Frequenza di funzionamento	Dimensioni A x L x P (mm)	Peso (kg)
FB863	230-240V~ 50Hz	3000 W	1800 W	34L	2450MHz	368 x 574 x 528	33,3
FE141-E	230~ 50Hz						

Cablaggi elettrici

La spina deve venire collegata a una presa di rete appropriata.

L'apparecchio ha i seguenti cablaggi:

- Filo sotto tensione (colore marrone) a terminale L
- Filo del neutro (colore blu) a terminale N
- Filo di terra (colore verde/giallo) a terminale E

Questo apparecchio deve essere collegato a terra.



In caso di dubbi, consultare un elettricista qualificato.

I punti di isolamento elettrico devono essere liberi da ostruzioni. In caso di emergenza, i punti devono essere facilmente raggiungibili qualora sia necessario scollegarli.

Conformità

Il logo WEEE riportato su questo prodotto o sulla relativa documentazione indica che il prodotto non può essere smaltito come normale rifiuto domestico. Per evitare possibili danni alla salute e/o all'ambiente, il prodotto deve venire smaltito utilizzando una procedura di riciclaggio approvata e sicura per l'ambiente. Per ulteriori informazioni su come smaltire in maniera corretta questo prodotto, contattare il fornitore del prodotto o l'ente locale responsabile per lo smaltimento dei rifiuti.



I componenti BUFFALO sono stati sottoposti a un rigoroso collaudo ai fini della conformità agli standard e alle specifiche normative previste dalle autorità internazionali, indipendenti e federali.

I prodotti BUFFALO sono autorizzati a esporre il seguente simbolo:



Tutti i diritti riservati. È vietata la riproduzione o la trasmissione in alcuna forma, elettronica, meccanica, mediante fotocopiatura o altro sistema di riproduzione, di qualsiasi parte delle presenti istruzioni senza la previa autorizzazione scritta di BUFFALO.

Le informazioni contenute sono corrette e accurate al momento della stampa, tuttavia BUFFALO si riserva il diritto di modificare le specifiche senza preavviso.

Consejos de Seguridad

Para reducir el riesgo de incendio, de descarga eléctrica, de lesiones a personas o de exposición a una energía excesiva del horno microondas cuando utilice su aparato, siga las precauciones básicas, incluyendo las siguientes:



PRECAUCIONES PARA EVITAR UNA POSIBLE EXPOSICIÓN A LA ENERGÍA DE MICROONDAS

No intente utilizar este horno con la puerta abierta, ya que esto puede provocar una exposición perjudicial a la energía de microondas. Es importante no romper ni manipular los bloqueos de seguridad.

No coloque ningún objeto entre la cara frontal del horno y la puerta, ni permita que se acumule tierra o residuos de limpiador en las superficies de sellado.

Advertencia: Si la puerta o las juntas de la puerta están dañadas, no debe usar el horno hasta que haya sido reparado por una persona competente.

- Colóquela sobre una superficie plana, estable.
- Un agente de servicio / técnico cualificado debería llevar a cabo la instalación y cualquier reparación si se precisa. No retire ninguna pieza del producto.
- Consulte las Normas Locales y Nacionales correspondientes a lo siguiente:
 - Legislación de Seguridad e Higiene en el Trabajo
 - Códigos de Práctica BS EN
 - Precauciones contra Incendios
 - Normativos de Cableado de la IEE
 - Normativas de Construcción
- **Advertencia:** Los líquidos y otros alimentos no deben calentarse en recipientes cerrados, ya que pueden explotar.

- **Advertencia:** Es peligroso que alguien que no sea una persona competente realice cualquier operación de servicio o reparación que implique la retirada de una cubierta que proteja de la exposición a la energía de microondas.
- Utilice únicamente utensilios adecuados para su uso en hornos microondas.
- El horno debe ser limpiado regularmente y se deben eliminar los restos de alimentos.
- Al calentar alimentos en recipientes de plástico o papel, vigile el horno ya que pueden inflamarse.
- Si se observa humo, apague o desenchufe el aparato y mantenga la puerta cerrada para sofocar cualquier llama.
- No cocine demasiado los alimentos.
- No utilice la cavidad del horno como lugar de almacenaje. No almacene artículos, como pan, galletas, etc. dentro del horno.
- Retire las bridas y las asas metálicas de los recipientes/bolsas de papel o plástico antes de colocarlos en el horno.
- Instale o ubique este horno sólo de acuerdo con las instrucciones de instalación proporcionadas.
- No se deben calentar en el microondas huevos con cáscara ni huevos duros ya que pueden explotar, incluso después de terminar el tiempo de calentamiento.
- Utilice este aparato sólo para los usos previstos, tal y como se describe en el manual. No utilice productos químicos ni vapores corrosivos en este aparato. Este horno está especialmente diseñado para calentar. No está diseñado para uso industrial ni de laboratorio.
- No almacene ni utilice este aparato en exteriores.
- No utilice este horno cerca del agua, en un sótano húmedo ni cerca de una piscina.
- La temperatura de las superficies accesibles puede ser alta cuando el aparato está en funcionamiento. Las superficies pueden calentarse durante el uso. Mantenga el cable alejado de la superficie caliente y no cubra ninguna de las rejillas de ventilación del horno.

- No deje que el cable cuelgue del borde de la mesa o de la encimera.
- No mantener el horno limpio podría provocar un deterioro de la superficie que podría afectar negativamente a la vida útil del aparato y posiblemente provocar una situación de peligro.
- **Advertencia:** El contenido de los biberones y de los tarros de comida para bebés debe ser removido o agitado y se debe comprobar la temperatura antes de su consumo con el fin de evitar quemaduras.
- **Advertencia:** Al calentar bebidas en el microondas, se pueden producir salpicaduras después de que hayan hervido; por tanto, se debe tener cuidado al manipular el recipiente.
- Los líquidos como el agua, el café y el té pueden sobrecalentarse más allá del punto de ebullición sin que parezca que están hirviendo.
- Apague y desconecte siempre la alimentación del aparato antes de limpiarlo o realizar tareas de mantenimiento.
- Mantenga el embalaje lejos del alcance de los niños. Elimine el embalaje de acuerdo con las normas de las autoridades locales.
- Si el cable eléctrico está dañado, debe ser reemplazado por un agente de BUFFALO o un técnico cualificado recomendado para evitar cualquier riesgo.
- Este aparato no debe ser utilizado por personas (incluidos los niños) que tengan sus capacidades físicas, sensoriales o mentales reducidas o que no cuenten con experiencia y conocimientos a menos que lo hagan bajo la supervisión o siguiendo instrucciones relativas al uso del aparato a través de una persona responsable de su seguridad.
- Los niños deben estar supervisados para garantizar que no juegan con el aparato.
- No haga funcionar el horno vacío.
- El horno microondas no debe colocarse en un armario a menos que haya sido probado para ese tipo de instalación.
- El aparato no está destinado a ser operado por medio de un temporizador externo ni un sistema de control remoto separado.

- No utilice lavadoras a chorro/a presión para limpiar el aparato.
- Buffalo recomienda que este aparato debe ser periódicamente probado (al menos anualmente) por una Persona Competente. Las pruebas deben incluir, entre otras: Inspección visual, ensayo de polaridad, puesta a tierra, continuidad de aislamiento y prueba de funcionamiento.

Introducción

Tómese unos minutos para leer este manual. El correcto mantenimiento y manejo de esta máquina proporcionará el mejor funcionamiento posible de su producto BUFFALO.

Contenido del Conjunto

Se incluye:

- Horno microondas
- Manual de instrucciones

BUFFALO se enorgullece de la calidad y el servicio, garantizando que al embalar el producto, el contenido se suministre plenamente operativo y no presente daños.

Si encontrara algún daño resultante del transporte, póngase en contacto inmediatamente con su distribuidor BUFFALO.

Instalación

1. Retire todos los materiales de embalaje. Asegúrese de retirar completamente la película protectora y los revestimientos de todas las superficies.



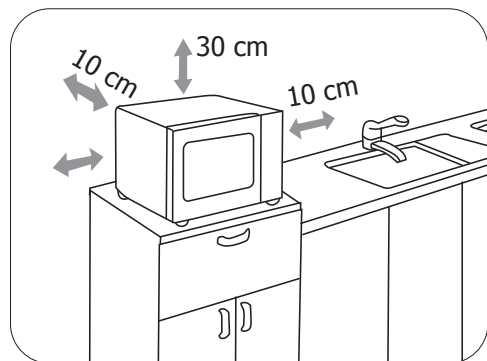
Advertencia: Compruebe si se ha producido alguno de los siguientes daños:

- **Puerta desalineada o doblada, juntas/superficie de sellado de la puerta dañadas, bisagras de la puerta rotas/aflojadas, abolladuras en el interior del horno.**
- **NO utilice el horno si encuentra algún daño. Llame a un agente de BUFFALO o a un técnico cualificado.**

2. Coloque el horno sobre una superficie plana, estable y resistente al calor. Para una ventilación suficiente, deje un espacio mínimo de 30 cm por encima del horno, 10 cm en la parte trasera y en el lado derecho. El lado izquierdo debe estar abierto.

Nota: No cubra ni bloquee ninguna de las aberturas del aparato, ni retire las patas.

3. Coloque el horno lo más lejos posible de radios o televisores; el funcionamiento del aparato puede causar interferencias en la recepción de dichos dispositivos.

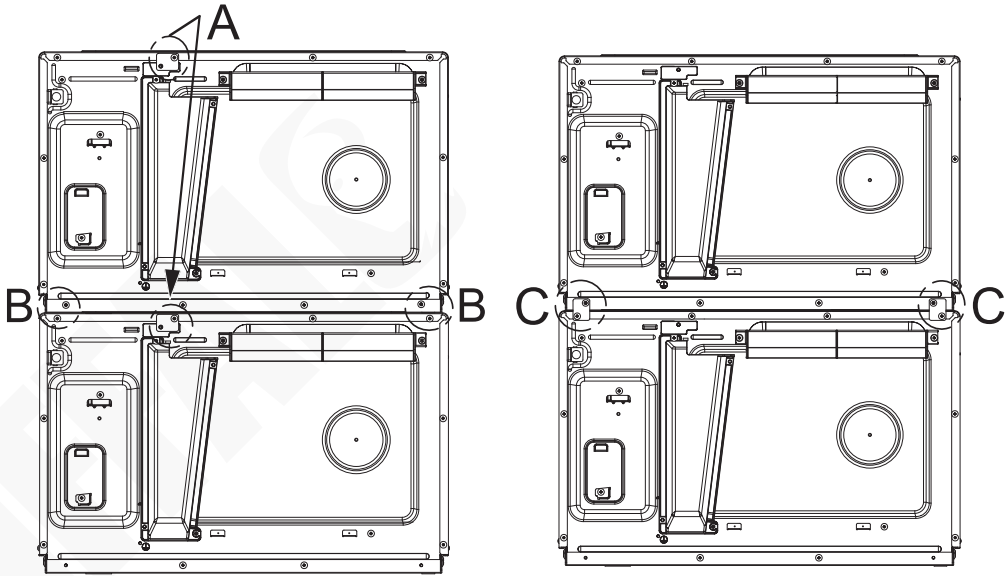


Apilar el aparato



Nota: Para ahorrar espacio, se pueden apilar un máximo de 2 aparatos. Para obtener más detalles, siga las instrucciones que se incluyen a continuación.

1. Afloje los tornillos que fijan las placas de montaje. A continuación, extraiga las placas de montaje y vuelva a colocar y apretar los tornillos en su sitio (Paso A).
2. Retire los 4 tornillos como se muestra en el Paso B.
3. Coloque las placas de montaje en las piezas de unión de los 2 hornos y fíjelas con los tornillos que acaba de retirar (Paso C).



Utensilios

Consulte las instrucciones de este capítulo para conocer los utensilios que debe utilizar o evitar al cocinar con el microondas.

En caso de duda, compruebe en las instrucciones del fabricante si su utensilio es apto para el microondas o no.

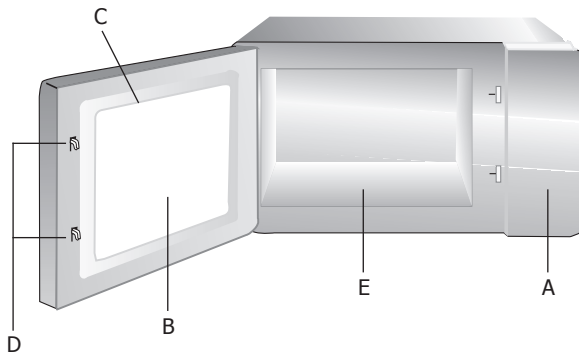
Materiales que se pueden utilizar en el horno microondas

Utensilios (no incluidos)	Observaciones
Plato para dorar	Siga las instrucciones del fabricante. El fondo del plato para dorar debe colocarse suavemente sobre la placa de cerámica. Un uso incorrecto puede hacer que la placa cerámica se rompa.
Vajilla	Sólo apta para microondas. Siga las instrucciones del fabricante. No utilice platos agrietados o astillados.
Frascos de vidrio	Retire siempre la tapa. Utilícelo sólo para calentar alimentos hasta que estén templados. La mayoría de los tarros de cristal no son resistentes al calor y pueden romperse.
Objetos de vidrio	Utilice únicamente objetos de vidrio para horno resistentes al calor. Asegúrese de que no tenga adornos metálicos. No utilice platos agrietados o astillados.
Bolsas para cocinar en el horno	Siga las instrucciones del fabricante. No se deben cerrar con bridas metálicas. Haga cortes para permitir la salida del vapor.
Platos y vasos de papel	Utilícelos sólo para cocinar/calentar a corto plazo. No deje el horno sin vigilancia mientras cocina con ellos.
Papel de cocina	Utilícelas para cubrir los alimentos al recalentarlos y absorber la grasa. Se deben utilizar con supervisión sólo para cocinar a corto plazo.
Papel para horno	Utilícelo como tapa para evitar salpicaduras o como envoltura para cocinar al vapor.
Plástico	Sólo apta para microondas. Siga las instrucciones del fabricante. Deben llevar la etiqueta "Microwave Safe" (apta para microondas). Algunos recipientes de plástico se reblandecen cuando el alimento que contienen se calienta. Las "bolsas para hervir" y las bolsas de plástico bien cerradas deben rajarse, perforarse o ventilarse según las indicaciones del envase.
Envoltorio de plástico	Sólo apta para microondas. Utilícela para cubrir los alimentos durante la cocción para retener la humedad. No permita que el envoltorio de plástico toque los alimentos.
Termómetros	Sólo aptos para microondas (termómetros para carne y de repostería).
Papel de cera	Utilice una tapa para evitar salpicaduras y para ayudar a retener la humedad.

Materiales que no se deben usar en el horno microondas

Utensilios (no incluidos)	Observaciones
Bandeja de aluminio	Puede producirse un arco eléctrico. Transfiera los alimentos a un plato apto para microondas.
Caja de alimentos con asa de metal	Puede producirse un arco eléctrico. Transfiera los alimentos a un plato apto para microondas.
Utensilios metálicos o con adornos metálicos	El metal protege los alimentos de la energía de las microondas. Los adornos metálicos pueden causar un arco eléctrico.
Bridas metálicas	Pueden provocar un arco eléctrico y causar un incendio en el horno.
Bolsas de papel	Pueden provocar un incendio en el horno.
Espuma plástica	La espuma plástica puede derretirse o contaminar el líquido del interior cuando se expone a altas temperaturas.
Madera	La madera se seca cuando se utiliza en el horno microondas y puede partirse o agrietarse.

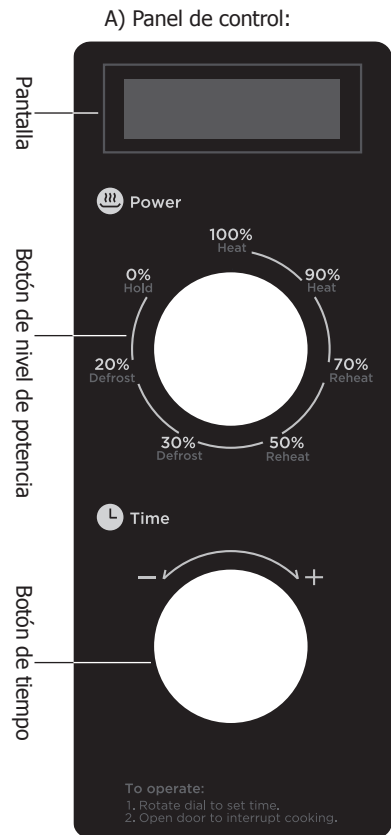
Conozca su aparato



- A) Panel de control
- B) Ventana de observación
- C) Montaje de puertas
- D) Sistema de bloqueo de seguridad
- E) Placa de cerámica

Nota:

1. NO presione la placa cerámica con fuerza.
2. Coloque los utensilios con suavidad para evitar que se dañe la tabla de cerámica.
3. Después de usarla, NO toque la placa de cerámica con la mano para evitar quemaduras por alta temperatura.



Funcionamiento



Nota: Antes de utilizar el aparato por primera vez, limpie las superficies interiores y déjelas secar bien.

Modo Reposo

1. A continuación, conecte el aparato a la red eléctrica. En la pantalla aparecerá " _ _ _ _ _ ".
2. Cuando la pantalla se quede en blanco, el aparato entrará en modo Reposo.
3. Durante el modo Reposo, no se puede girar ningún mando.

Modo Listo

1. En el modo Reposo, abra y cierre la puerta para entrar en el modo Listo.
2. En el modo Listo, se muestra el mensaje "READY".

Empezar a cocinar

1. Mientras está en el modo Listo, gire el botón de nivel de potencia al nivel de potencia deseado.

Potencia	100 %	90 %	70 %	50 %	30 %	20 %	0 %
Pantalla	100	90	70	50	30	20	0

2. Seleccione el tiempo de cocinado usando el botón de tiempo (tiempo máximo: 60 minutos). Después de 2 segundos aproximadamente, el aparato se encenderá de forma automática.
3. Una vez transcurrido el tiempo de cocción, el aparato emitirá un pitido y se mostrará "DONE".
4. Pronto la pantalla cambiará para mostrar "READY", lo que indica que el horno está de nuevo en modo Listo.
5. El ventilador continuará funcionando durante 1 minuto para enfriar el aparato y luego se detendrá automáticamente. El horno se encuentra ahora en modo Reposo.



Nota: Durante la cocción, el nivel de potencia y el tiempo de cocción pueden ajustarse en cualquier momento.



Nota: Durante la cocción, si se abre la puerta, la pantalla se pondrá en blanco y se cancelará la cocción.

Limpieza, Cuidado y Mantenimiento



- Apague y desconecte la alimentación antes de limpiarlo.
- Mantenga siempre limpio el horno.
- Limpie cuidadosamente el marco de la puerta, la junta y las partes vecinas con un paño húmedo cuando estén sucias.

Limpieza de la puerta y de la cara frontal del horno

- Para un mejor rendimiento y para mantener el alto grado de seguridad, el panel interior de la puerta y la cara frontal del horno deben estar libres de alimentos o de acumulación de grasa.
- Limpie estas partes con un detergente suave, enjuague y seque. No utilice nunca polvos ni estropajos abrasivos.

Limpieza del panel de control y de las piezas de plástico

- No aplique detergentes ni líquidos alcalinos en aerosol al panel de control ni a las piezas de plástico, ya que podría dañarlas.
- Utilice un paño seco (no empapado) para limpiar estas piezas.
- No permita que el panel de control se moje.

Limpieza del interior del horno

- Después de su uso, asegúrese de retirar lo antes posible los líquidos derramados, las salpicaduras de aceite y los restos de comida.
- Si el horno se utiliza cuando esté sucio, la eficiencia bajará y la suciedad se quedará pegada en la superficie. Esto puede causar malos olores. Limpie el interior con un paño empapado en agua tibia con un detergente suave disuelto en ella; luego aclare el jabón con un paño húmedo.

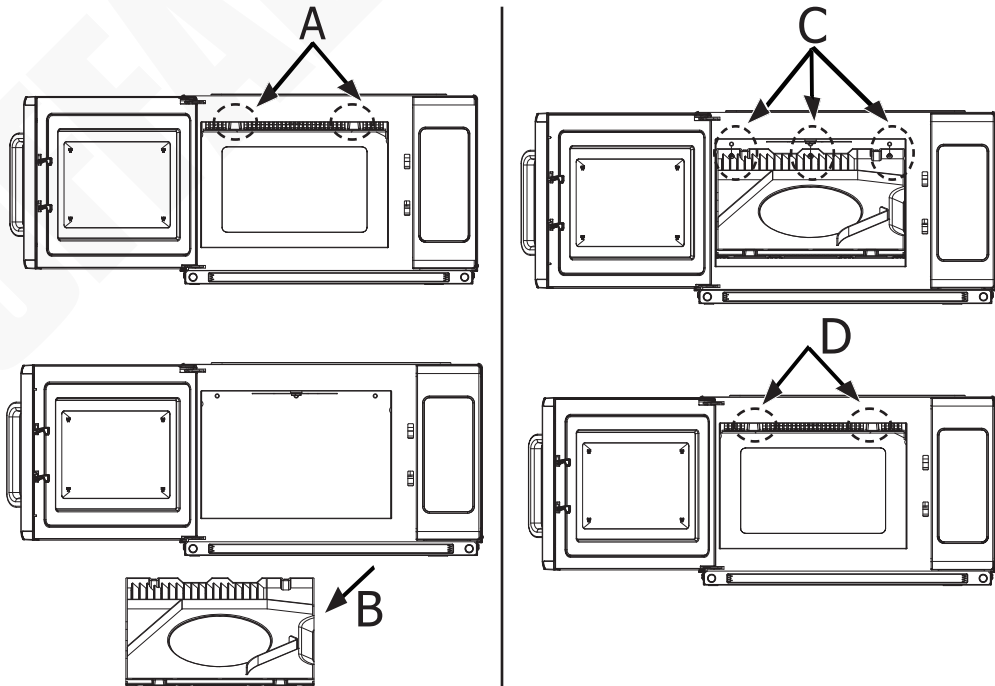


Elimine los olores del interior del horno, poniendo en el microondas una taza de agua con el zumo de 1 limón durante 5 minutos. Limpie el horno con un paño suave y seco.

Limpieza del deflector de aceite

El horno cuenta con un deflector de aceite extraíble para una limpieza fácil y completa. El deflector se encuentra bajo el techo interior del horno.

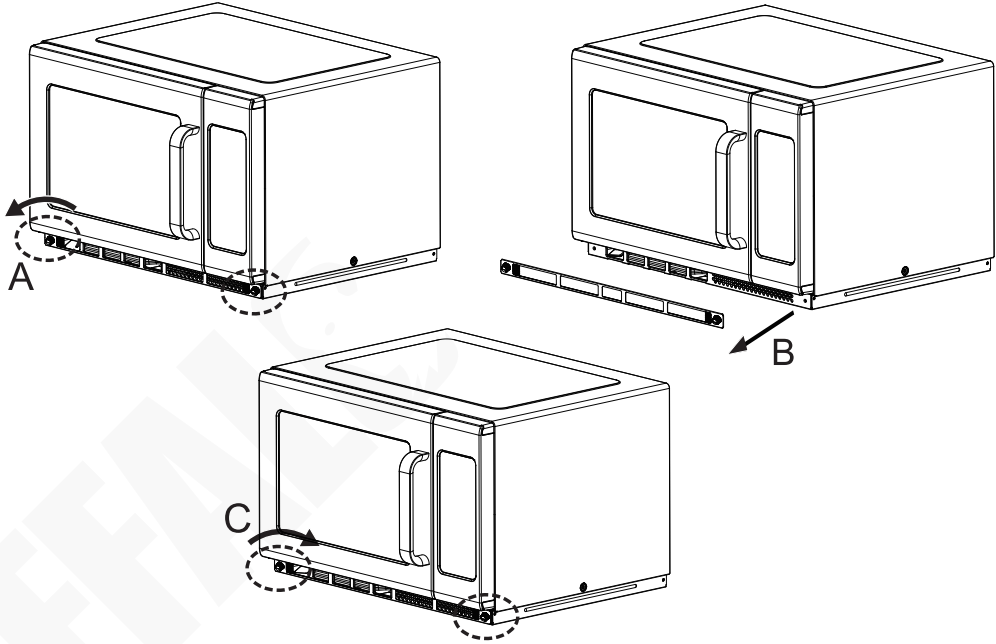
- Para extraer el deflector, mantenga pulsadas las 2 hendiduras que tiene en la parte frontal (Paso A). Mientras, presione todo el deflector hacia atrás para soltarlo. Después, extraiga el deflector del horno (Paso B).
- Limpie el deflector con un detergente suave, aclárelo y séquelo con un paño.
- Para instalar el deflector, sujételo e inserte los 3 pasadores de la parte trasera en los orificios de la pared trasera del horno (Paso C).
- Presione la hendidura derecha hacia atrás hasta que la parte derecha del deflector encaje. Repita la misma operación para encajar la parte izquierda en su posición (Paso D).



Limpeza del filtro

El horno cuenta con un filtro extraíble para una limpieza fácil y completa.

- Afloje los clavos de fijación (Paso A) y, luego, retire el filtro (Paso B).
- Limpie el filtro con un cepillo suave.
- Coloque el filtro en su sitio y fíjelo con los clavos (Paso C).



Resolución de problemas

Un técnico calificado debe realizar las reparaciones si es necesario.

Fallo	Causa probable	Acción
La unidad no funciona	El aparato no está conectado	Compruebe que el aparato esté enchufado correctamente y conectado
	El enchufe y el cable están dañados	Reemplace el enchufe o el cable
	Fallo de la fuente de alimentación de red	Compruebe la red eléctrica
	La puerta no está cerrada correctamente	Cierre la puerta firmemente
Formación de un arco eléctrico/ chispas	Se están utilizando materiales metálicos u otros no apropiados.	Saque los objetos metálicos. Utilice sólo utensilios aptos para el microondas
	Hay restos de salpicaduras de comida en el interior del horno.	Limpie el interior del horno
	El horno se ha usado vacío.	No haga funcionar el horno vacío. Es muy peligroso
El horno microondas interfiere con la recepción de la TV	La recepción de radio y TV se ve interferida cuando el aparato está en funcionamiento.	Es normal
Acumulación de vapor en la puerta y salida de aire caliente por las rejillas de ventilación	Al cocinar, el vapor puede salir de los alimentos. La mayor parte saldrá por las rejillas de ventilación, pero otra parte puede acumularse en lugares fríos como la puerta del horno.	Es normal
Luz tenue del horno	En la cocción por microondas de baja potencia, la luz del horno puede volverse tenue.	Es normal

Especificaciones Técnicas

Nota: Debido a nuestro continuo programa de investigación y desarrollo, las especificaciones aquí expuestas pueden estar sujetas a cambios sin previo aviso.

Modelo	Tensión	Potencia	Potencia del microondas	Capacidad del horno	Frecuencia de funcionamiento	Dimensiones al. x al. x p. (mm)	Peso (kg)
FB863	230-240 V~ 50 Hz	3000 W	1800 W	34 L	2450 MHz	368 x 574 x 528	33,3
FE141-E	230 ~ 50 Hz						

Cableado Eléctrico

El enchufe tiene que conectarse a una toma eléctrica adecuada.

Este aparato está conectado de la forma siguiente:

- Cable cargado (de color marrón) al terminal marcado como L
- Cable neutro (de color azul) al terminal marcado como N
- Cable de tierra (de color verde / amarillo) al terminal marcado como E

Este aparato debe conectarse a una toma de tierra.



Si tiene alguna duda, consulte a un electricista cualificado.

Los puntos de aislamiento eléctrico deben mantenerse libres de cualquier obstrucción. En caso de precisarse una desconexión de emergencia, deben estar disponibles de forma inmediata.

Cumplimiento

El logotipo WEEE en este producto o su documentación indica que no debe eliminarse como un residuo doméstico. Para ayudar a prevenir posibles daños a la salud humana y/ o el medio ambiente, el producto debe eliminarse en un proceso de reciclaje aprobado y medioambientalmente seguro. Para obtener más información sobre cómo eliminar correctamente este producto, póngase en contacto con el proveedor del mismo o la autoridad local responsable de la eliminación de residuos en su zona.



Las piezas BUFFALO han pasado estrictas pruebas de productos para cumplir las especificaciones y normas reguladoras establecidas por las autoridades internacionales, independientes y federales.

Los productos BUFFALO han sido aprobados para exhibir el siguiente símbolo:



Reservados todos los derechos. Puede estar prohibida la reproducción o transmisión en cualquier forma o por cualquier medio electrónico, mecánico, de fotocopiado, registro o de otro tipo, de cualquier parte de estas instrucciones sin la autorización previa y por escrito de BUFFALO.

Se ha hecho todo lo posible para garantizar que todos los datos son correctos en el momento de su publicación; sin embargo, BUFFALO se reserva el derecho a modificar las especificaciones sin que medie notificación previa.

DECLARATION OF CONFORMITY

- Conformanceverklaring • Déclaration de conformité • Konformitätserklärung • Dichiarazione di conformità • Declaración de conformidad

Equipment Type • Uitrustingstype • Type d'équipement • Gerätyp • Tipo di apparecchiatura • Tipo de equipo	Model • Modèle • Modell • Modello • Modelo
1. Manual Commercial Microwave - 34Ltr 1800watt - UK & IE 2. Manual Commercial Microwave - 34Ltr 1800watt - EU (not IE)	1. FB863 2. FE141-E
Application of Territory Legislation & Council Directives(s) Toepassing van Europese Richtlijn(en) • Application de la/des directive(s) du Conseil • Anwendbare EU-Richtlinie(n) • Applicazione delle Direttive • Aplicación de la(s) directiva(s) del consejo	<p>Low Voltage Directive (LVD) - 2014/35/EU Electrical Equipment (Safety) Regulations 2016 EN 60335-1:2012 + A11:2014 +A13:2017 +A1:2019 +A14:2019 +A2:2019 EN 60335-2-90:2006 +A1:2010 EN 62233:2008</p> <p>Electro-Magnetic Compatibility (EMC) Directive 2014/30/EU - recast of 2004/108/EC Electromagnetic Compatibility Regulations 2016 (S.I. 2016/1091) EN 55011:2016 +A1:2017 +A11:2020 EN 55014-2:2015 EN 55032:2015 +A11:2020 EN 55035:2015 +A11:2020 EN IEC 61000-3-2:2019 EN 61000-3-3:2013 +A1:2019 EN IEC 61000-3-11:2019</p> <p>Restriction of Hazardous Substances Directive (RoHS) 2015/863 amending Annex II to Directive 2011/65/EU Restriction of the Use of Certain Hazardous Substances in Electrical and Electronic Equipment Regulations 2012 (S.I. 2012/3032)</p>
Producer Name • Naam fabrikant • Nom du producteur • Name des Herstellers • Nome del produttore • Nombre del fabricante	Buffalo

I, the undersigned, hereby declare that the equipment specified above conforms to the above Territory Legislation, Directive(s) and Standard(s).

Ik, de ondergetekende, verklaar hierbij dat de hierboven gespecificeerde uitrusting goedgekeurd is volgens de bovenstaande Richtlijn(en) en Standaard(en).

Je soussigné, confirme la conformité de l'équipement cité dans la présente à la / aux Directive(s) et Norme(s) ci-dessus

Ich, der/die Unterzeichnende, erkläre hiermit, dass das oben angegebene Gerät der/den oben angeführten Richtlinie(n) und Norm(en) entspricht.

Il sottoscritto dichiara che l'apparecchiatura di sopra specificata è conforme alle Direttive e agli Standard sopra riportati.

El abajo firmante declara por la presente que el equipo arriba especificado está en conformidad con la(s) directiva(s) y estándar(es) arriba mencionadas.

Date • Data • Date • Datum • Data • Fecha • Data

Signature • Handtekening • Signature • Unterschrift Firma • Firma

Full Name • Volledige naam • Nom et prénom • Vollständiger Name • Nome completo • Nombre completo

Position • Functie • Fonction • Position • Qualifica • Posición

Producer Address • Adres fabrikant • Adresse du producteur • Anschrift des Herstellers • Indirizzo del produttore • Dirección del fabricante

27th May 2022

DocuSigned by:

Ashley Hooper

B39382C9FD9C478...

DocuSigned by:

Eoghan Donnellan

D352874F7FAB460...

Ashley Hooper

Eoghan Donnellan

Technical & Quality Manager

Commercial Manager/ Importer

Fourth Way,
Avonmouth,
Bristol,
BS11 8TB
United Kingdom

Unit 9003,
Blarney Business Park,
Blarney,
Co. Cork
Ireland





UK	+44 (0)845 146 2887
Eire	
NL	040 – 2628080
FR	01 60 34 28 80
BE-NL	0800-29129
BE-FR	0800-29229
DE	0800 – 1860806
IT	N/A
ES	901-100 133



<http://www.buffalo-appliances.com/> 

FB863_FE141-E_ML_A5_v2_2022/12/26